



Accessories for ECHO products can be found at:

Los accesorios para los productos ECHO se pueden encontrar en:

www.echo-usa.com/products/catalogs

OPTIONAL ACCESSORIES:

Shoulder Harness Kit 99944200200

CUTTING HEADS:

Maxi-Cut 215311

2-Line Rapid Loader Head 21560056

Speed-Feed 400 99944200908

ACCESORIOS OPCIONALES

Kit de arnés 99944200200

CABEZALES DE CORTE

Maxi-Cut 215311

Rapid-Loader - 2 hilos 21560056

SPEED-FEED 400 99944200908

PARTS CATALOG
LISTA DE PIEZAS

GT-225L
Trimmer

GT-225L Podadora



21.2 cc

SERIAL NUMBER
NÚMERO DE SERIE

T47114001001 - T47114999999

ECHO, INCORPORATED

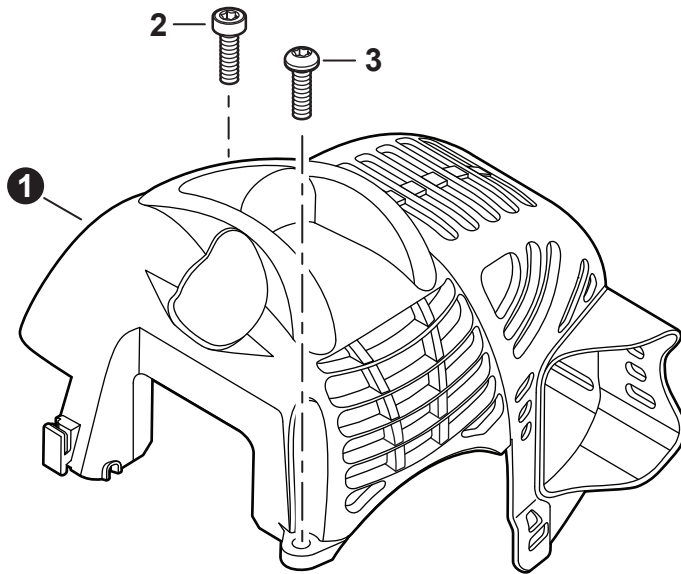
400 Oakwood Road, Lake Zurich, Illinois 60047

WWW.ECHO-USA.COM

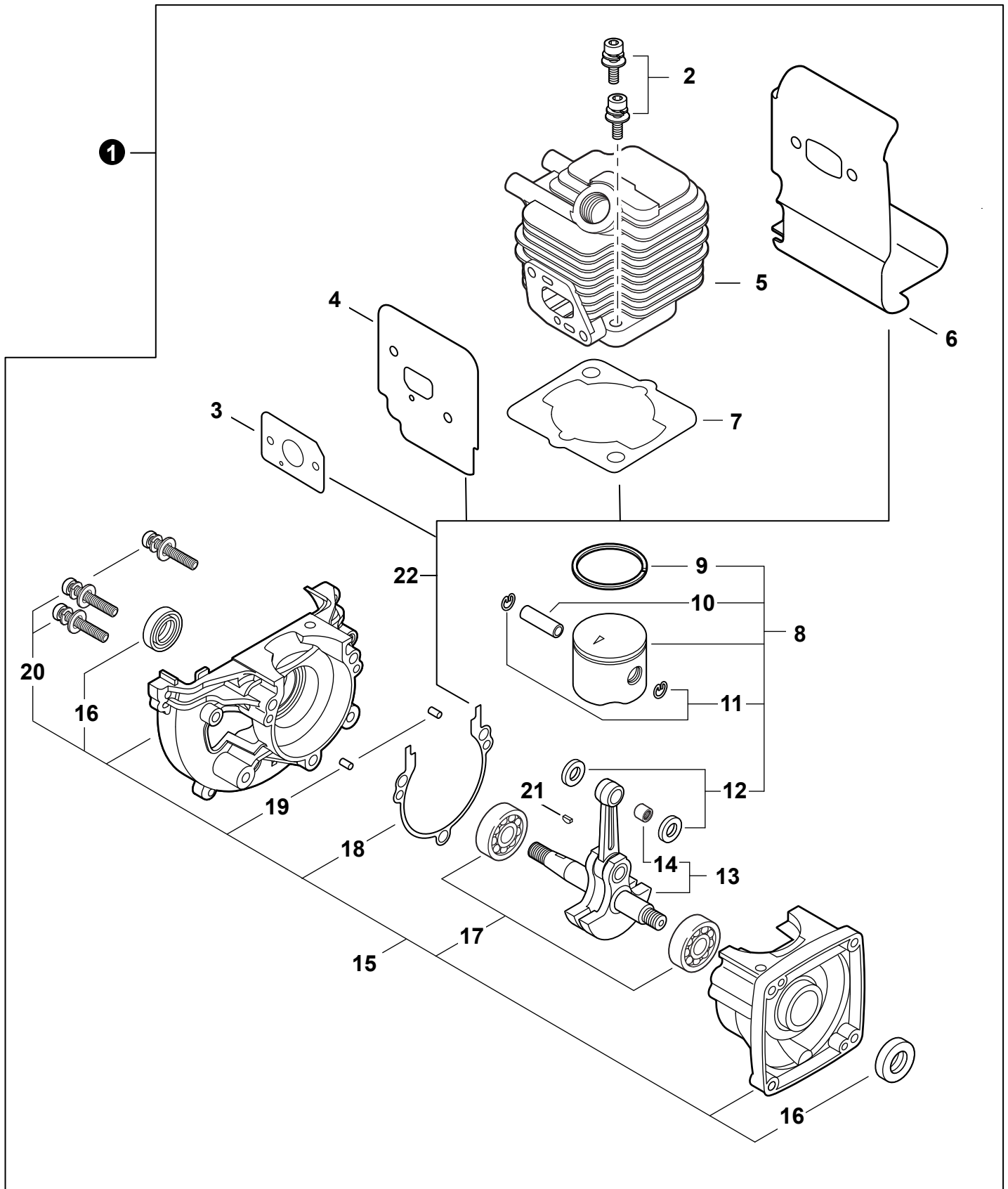
©2018 ECHO Incorporated. All Rights Reserved

P/N 99922204473
REVISED 01/01/20

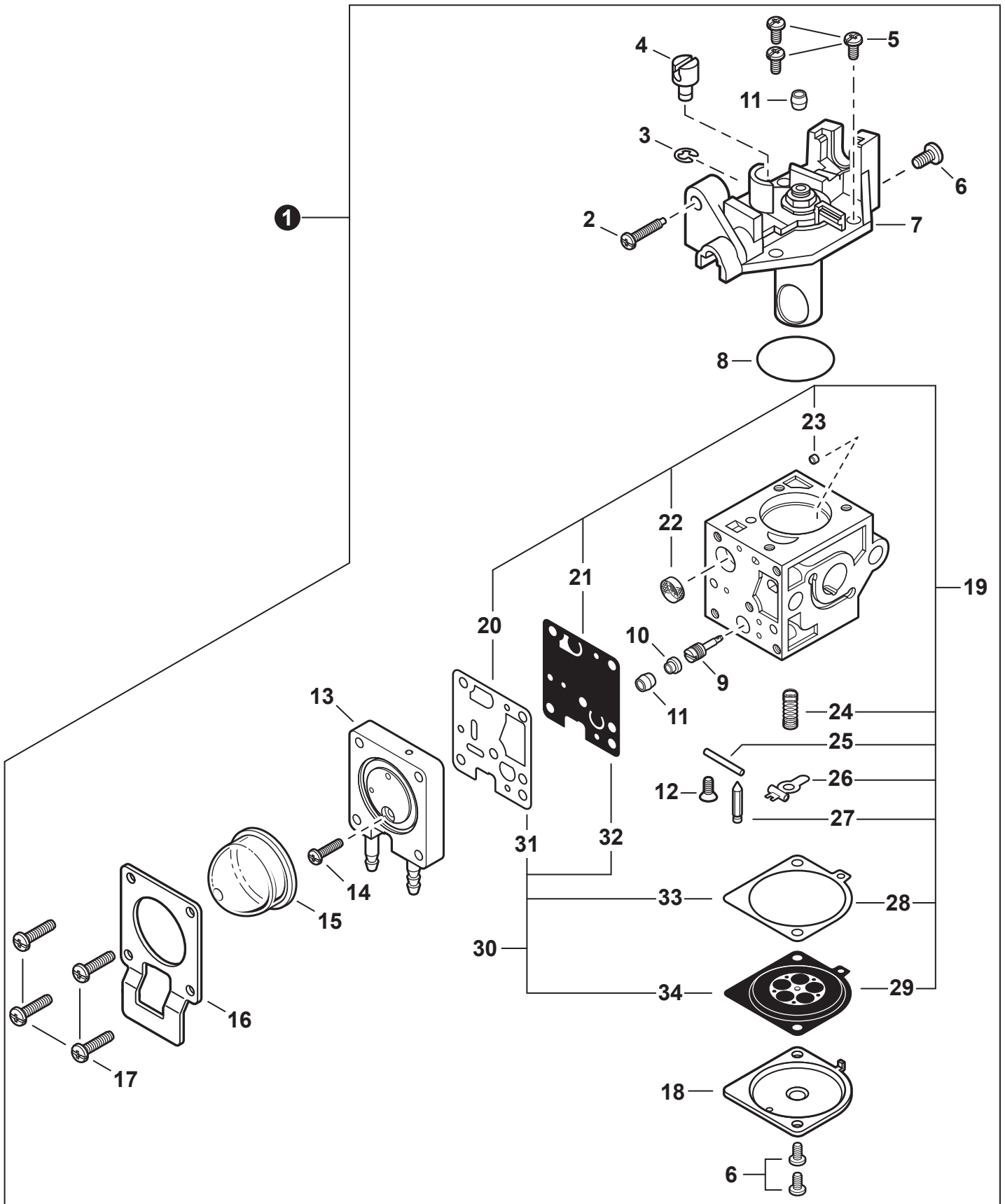
| | | | |
|---|-----------|------------------------------------|-----------|
| Engine Cover | 3 | Maintenance Kits | 23 |
| Cubierta del Motor | | Equipo de Mantenimiento | |
| Engine | 4 | Bulk Pipe | 23 |
| Motor | | Tubo al por mayor | |
| Engine | 5 | Bulk Starter Rope | 23 |
| Motor | | Cuerda del arrancador al por mayor | |
| Carburetor - RB-110128D | 6 | | |
| Carburador - RB-110128D | | | |
| Carburetor - RB-110128D | 7 | | |
| Carburador - RD-110128D | | | |
| Carburetor - RB-110151A | 8 | | |
| Carburador - RB-110151A | | | |
| Carburetor - RB-110151A | 9 | | |
| Carburador - RB-110151A | | | |
| Intake | 10 | | |
| Admisión | | | |
| Exhaust | 11 | | |
| Escape | | | |
| Ignition | 12 | | |
| Encendido | | | |
| Starter | 13 | | |
| Arrancador | | | |
| Fuel System | 14 | | |
| Sistema de combustible | | | |
| Fan Cover / Clutch | 15 | | |
| Cubierta del ventilador / Embrague | | | |
| Main Pipe | 16 | | |
| Tubo Principle | | | |
| Control Handle | 17 | | |
| Mango de Control | | | |
| Handle - Support | 18 | | |
| Mango de soporte | | | |
| Tools | 18 | | |
| Herramientas | | | |
| Gear Case | 19 | | |
| Caja de Engranajes | | | |
| Debris Shield | 20 | | |
| Protector Contra Residuos | | | |
| Labels | 21 | | |
| Etiquetas | | | |
| Trimmer Head - SPEED-FEED® 400 | 22 | | |
| Cabezal de corte - SPEED-FEED® 400 | | | |



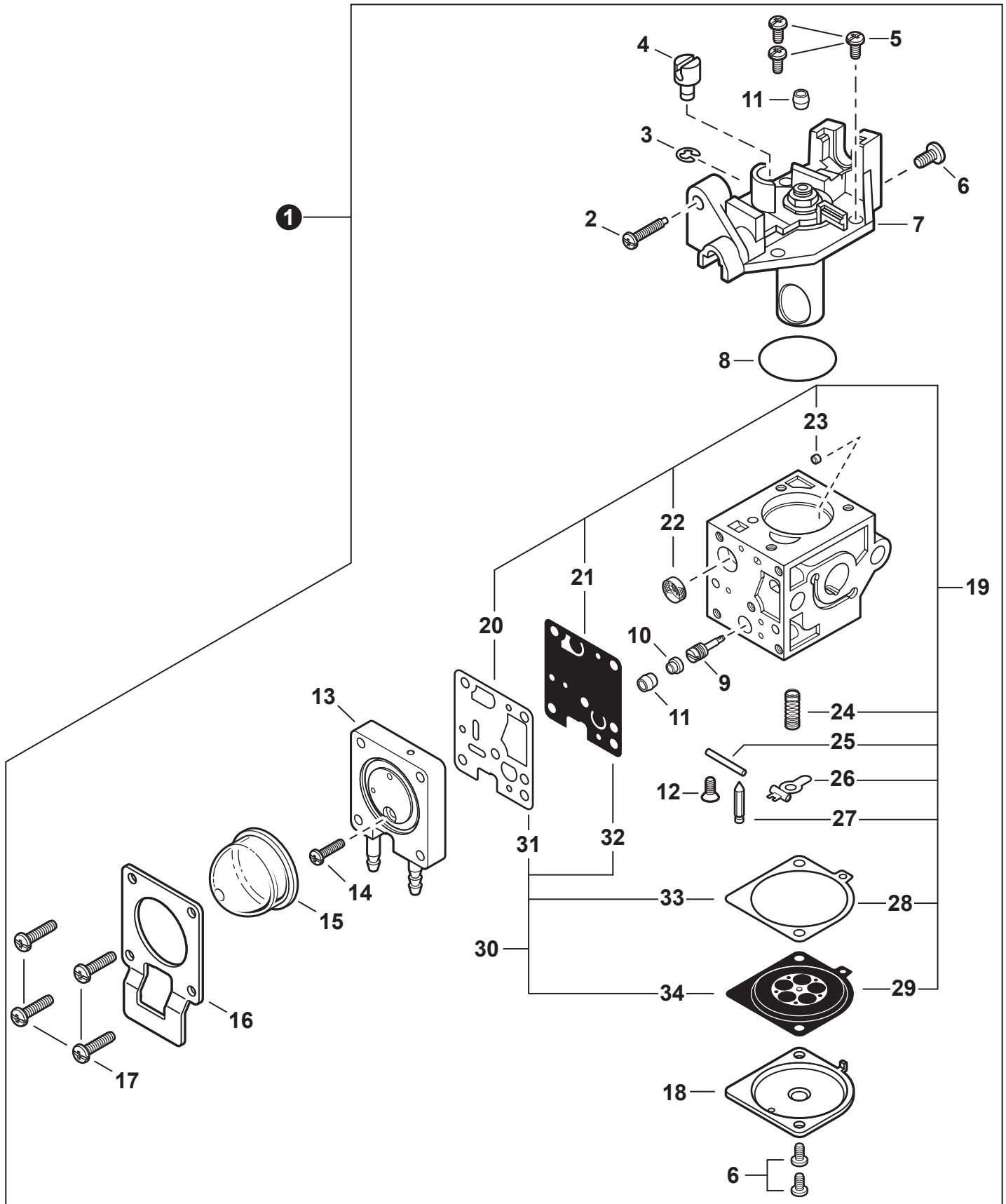
| NO. | PART NUMBER | QTY. | DESCRIPTION | DESCRIPCIÓN |
|-----|-------------|------|-----------------|-------------------|
| 1 | A160003230 | 1 | COVER, ENGINE | CUBIERTA DE MOTOR |
| 2 | V805000150 | 1 | BOLT, TORX 5×16 | PERNO TORX 5×16 |
| 3 | V805000000 | 1 | BOLT, TORX 5×16 | PERNO TORX 5×16 |



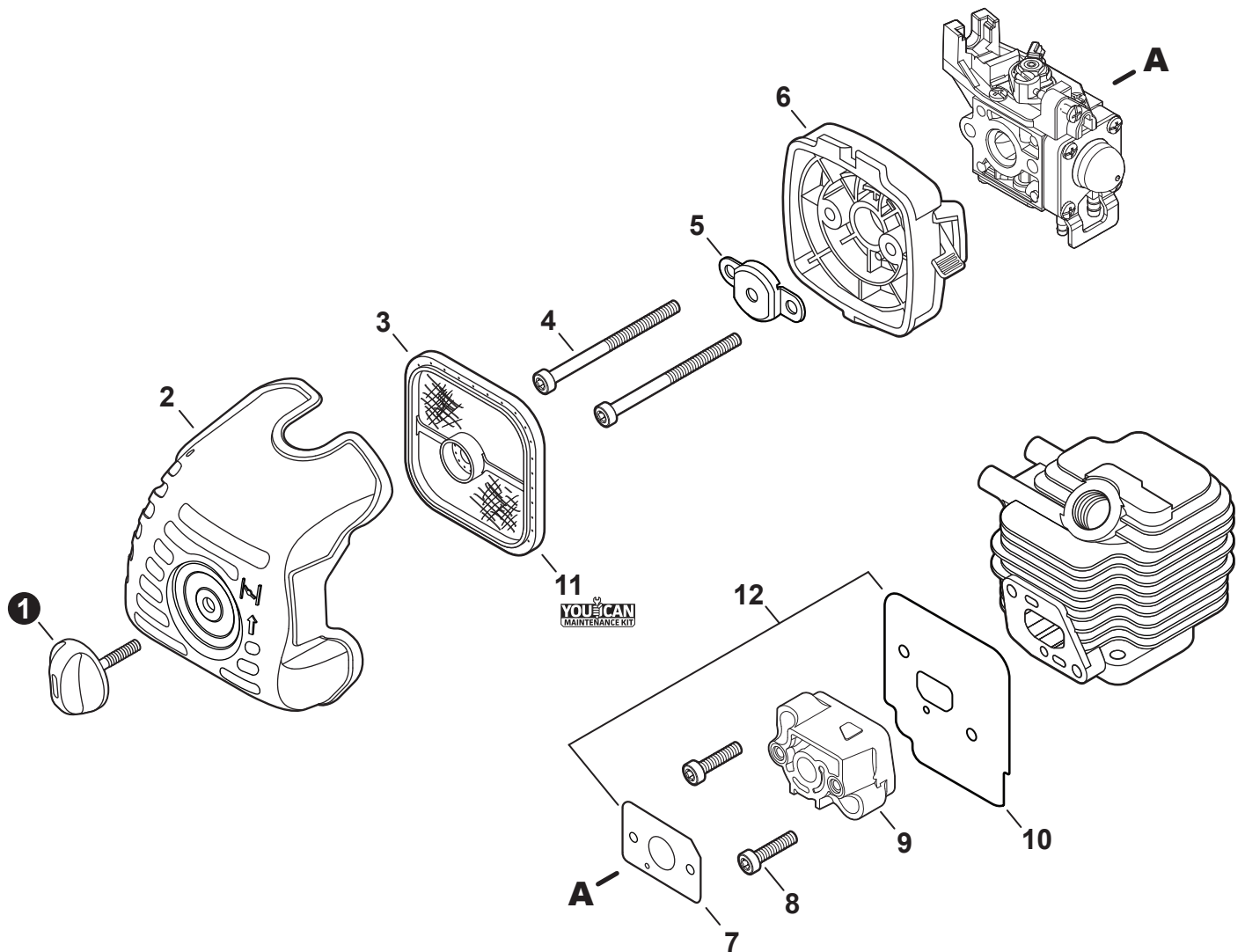
| NO. | PART NUMBER | QTY. | DESCRIPTION | DESCRIPCIÓN |
|-----|-------------|------|-------------------------------------|--|
| 1 | SB1119 | 1 | SHORT BLOCK | BLOQUE CORTO |
| 2 | 90016205022 | 2 | +BOLT 5×22 | +PERNO 5×22 |
| 3 | V103001390 | 1 | +GASKET, INTAKE | +EMPAQUETADURA DE ADMISIÓN |
| 4 | V103001360 | 1 | +HEAT SHIELD, INTAKE | +PROTECTOR TÉRMICO DEL ADMISIÓN |
| 5 | A130002100 | 1 | +CYLINDER | +CILINDRO |
| 6 | V104000850 | 1 | +HEAT SHIELD, EXHAUST | +PROTECTOR TÉRMICO DEL ESCAPE |
| 7 | 10101044332 | 1 | +GASKET, CYLINDER | +EMPAQUETADURA DE CILINDRO |
| 8 | P021051050 | 1 | +PISTON KIT | +JUEGO DE PISTÓN |
| 9 | A101000090 | 1 | ++RING, PISTON | ++ANILLO DEL PISTÓN |
| 10 | 10001311520 | 1 | ++PIN, PISTON 8 | ++PASADOR DEL PISTÓN 8 |
| 11 | 10001504630 | 2 | ++RING, SNAP | ++ANILLO RETENEDOR |
| 12 | 10001411520 | 2 | ++WASHER, THRUST | ++ARANDELA DE EMPUJE |
| 13 | A011001410 | 1 | +CRANKSHAFT ASSY | +MONTAJE DE CIGÜEÑAL |
| 14 | V553000060 | 1 | ++BEARING, NEEDLE 8 | ++COJINETE DE AGUJAS 8 |
| 15 | 10020452133 | 1 | +CRANKCASE KIT | +JUEGO DE CÁRTER |
| 16 | 10021242031 | 2 | ++SEAL, OIL 12 | ++SELLO DE ACEITE 12 |
| 17 | 9403536201 | 2 | ++BEARING, BALL 6201 | ++COJINETE DE BALINES 6201 |
| 18 | 10024242030 | 1 | ++GASKET, CRANKCASE | ++EMPAQUETADURA DE CÁRTER |
| 19 | 90033040080 | 2 | ++PIN, LOCATING 4×8 | ++PASADOR DE POSICIONAMIENTO 4×8 |
| 20 | 90016205028 | 3 | ++BOLT 5×28 | ++PERNO 5×28 |
| 21 | 10014212330 | 1 | +KEY, WOODRUFF | +CHAVETA WOODRUFF |
| 22 | P021051670 | 1 | GASKET KIT: ENGINE, INTAKE, EXHAUST | JUEGO DE EMPAQUETADURA - MOTOR, ADMISIÓN, ESCAPE |



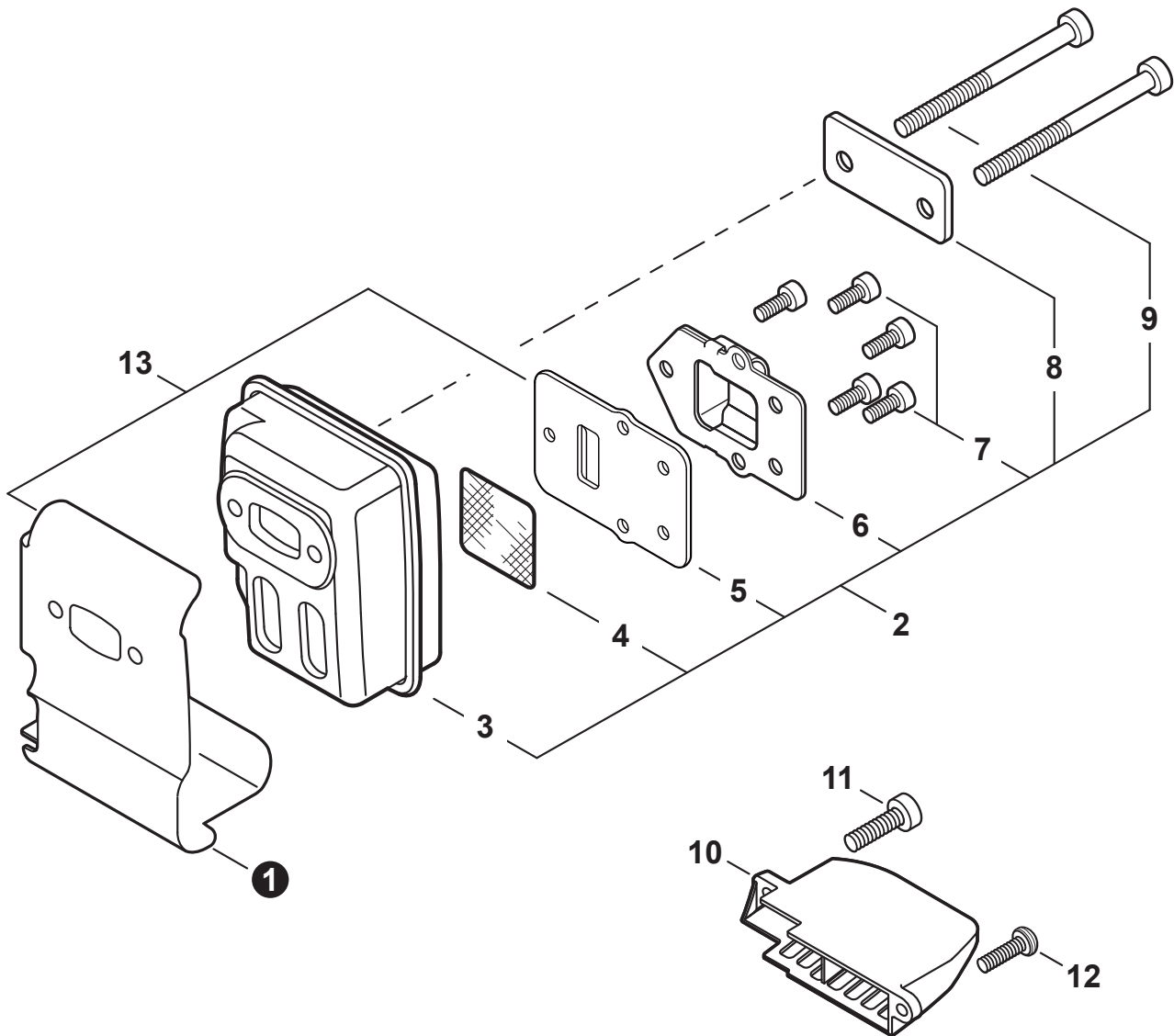
| NO. | PART NUMBER | QTY. | DESCRIPTION | DESCRIPCIÓN |
|-----|-------------|------|--------------------------------|---|
| 1 | A021004580 | 1 | CARBURETOR RB-110128D | CARBURADOR RB-110128D |
| 2 | P005000100 | 1 | +SCREW, IDLE ADJUST | +TORNILLO PARA AJUSTAR EL RALENTI |
| 3 | P005000190 | 1 | +E-RING | +RETENEDOR TIPO "E" |
| 4 | P005002090 | 1 | +SWIVEL | +CONECTOR GIRATORIO |
| 5 | 12534413931 | 3 | +SCREW | +TORNILLO |
| 6 | 12534452130 | 3 | +SCREW | +TORNILLO |
| 7 | P005002460 | 1 | +COVER ASSY, ROTOR | +MONTAJE DE CUBIERTA DE ROTOR |
| 8 | P005000280 | 1 | +O-RING | +JUNTA TÓRICA |
| 9 | P005003500 | 1 | +NEEDLE, MIXTURE | +AGUJA DE REGULACION |
| 10 | P005001250 | 1 | +CAP, LIMITER | +PROTECTOR DE TORNILLO |
| 11 | P005001270 | 2 | +PLUG | +TAPÓN |
| 12 | 12533942030 | 1 | +SCREW | +TORNILLO |
| 13 | P005002480 | 1 | +BODY ASSY, PURGE | +MONTAJE DE CUERPO DE PURGA |
| 14 | P005000270 | 1 | +SCREW | +TORNILLO |
| 15 | P005003110 | 1 | +BULB, PURGE | +BULBO DE PURGA |
| 16 | P005000250 | 1 | +RETAINER, PURGE BULB | +SUJETADOR DE BULBO DE PURGA |
| 17 | P005001900 | 4 | +SCREW | +TORNILLO |
| 18 | 12534252130 | 1 | +COVER, METERING DIAPHRAGM | +TAPA DE DIAFRAGMA DE MEDICIÓN |
| 19 | P005003750 | 1 | +REPAIR KIT, CARBURETOR | +JUEGO DE REPARACIÓN DE CARBURADOR |
| 20 | P005000520 | 1 | ++GASKET, PUMP | ++EMPAQUETADURA DE LA BOMBA |
| 21 | P005000510 | 1 | ++DIAPHRAGM, PUMP | ++DIAFRAGMA DE LA BOMBA |
| 22 | P005000010 | 1 | ++SCREEN, FUEL INLET | ++MALLA FILTRADORA |
| 23 | P005001000 | 1 | ++GUIDE, ROLLER | ++GUÍA DE RODILLO |
| 24 | P005000940 | 1 | ++SPRING, METERING LEVER | ++RESORTE PALANCA DE MEDICIÓN |
| 25 | 12533813930 | 1 | ++PIN, METERING LEVER | ++PASADOR DE PALANCA DE MEDICIÓN |
| 26 | 12532308260 | 1 | ++LEVER, METERING | ++PALANCA DE MEDICIÓN |
| 27 | 12533708260 | 1 | ++VALVE, INLET NEEDLE | ++VÁLVULA REGULADORA |
| 28 | P005000200 | 1 | ++GASKET, METERING DIAPHRAGM | ++EMPAQUETADURA DIAFRAGMA DE MEDICIÓN |
| 29 | | 1 | ++DIAPHRAGM, METERING | ++DIAFRAGMA DE MEDICIÓN |
| 30 | P005003740 | 1 | +GASKET / DIAPHRAGM KIT | +JUEGO DE EMPAQUETADURA / DIAFRAGMAS |
| 31 | P005000520 | 1 | ++GASKET, PUMP | ++EMPAQUETADURA DE LA BOMBA |
| 32 | P005000510 | 1 | ++DIAPHRAGM, PUMP | ++DIAFRAGMA DE LA BOMBA |
| 33 | P005000200 | 1 | ++GASKET, METERING DIAPHRAGM | ++EMPAQUETADURA DIAFRAGMA DE MEDICIÓN |
| 34 | | 1 | ++DIAPHRAGM, METERING | ++DIAFRAGMA DE MEDICIÓN |



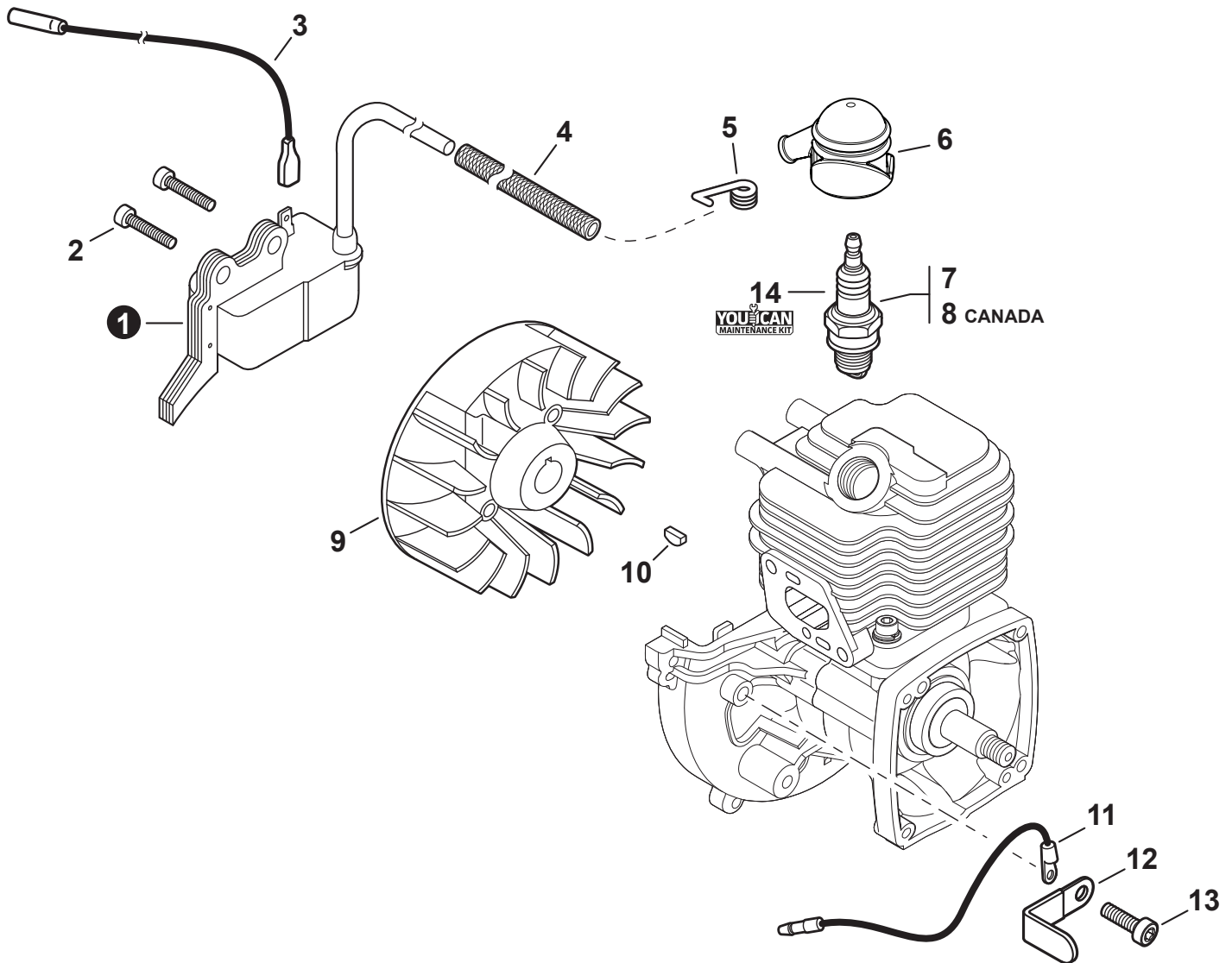
| NO. | PART NUMBER | QTY. | DESCRIPTION | DESCRIPCIÓN |
|-----|-------------------|------|--------------------------------|---|
| 1 | A021004890 | 1 | CARBURETOR RB-110151A | CARBURADOR RB-110151A |
| 2 | P005000100 | 1 | +SCREW, IDLE ADJUST | +TORNILLO PARA AJUSTAR EL RALENTI |
| 3 | P005000190 | 1 | +E-RING | +RETENEDOR TIPO "E" |
| 4 | P005002090 | 1 | +SWIVEL | +CONECTOR GIRATORIO |
| 5 | 12534413931 | 3 | +SCREW | +TORNILLO |
| 6 | 12534452130 | 3 | +SCREW | +TORNILLO |
| 7 | P005002460 | 1 | +COVER ASSY, ROTOR | +MONTAJE DE CUBIERTA DE ROTOR |
| 8 | P005004260 | 1 | +O-RING | +JUNTA TÓRICA |
| 9 | P005003500 | 1 | +NEEDLE, MIXTURE | +AGUJA DE REGULACION |
| 10 | P005001250 | 1 | +CAP, LIMITER | +PROTECTOR DE TORNILLO |
| 11 | P005001270 | 2 | +PLUG | +TAPÓN |
| 12 | 12533942030 | 1 | +SCREW | +TORNILLO |
| 13 | P005004240 | 1 | +BODY ASSY, PURGE | +MONTAJE DE CUERPO DE PURGA |
| 14 | P005000270 | 1 | +SCREW | +TORNILLO |
| 15 | P005003110 | 1 | +BULB, PURGE | +BULBO DE PURGA |
| 16 | P005000250 | 1 | +RETAINER, PURGE BULB | +SUJETADOR DE BULBO DE PURGA |
| 17 | P005001900 | 4 | +SCREW | +TORNILLO |
| 18 | 12534252130 | 1 | +COVER, METERING DIAPHRAGM | +TAPA DE DIAFRAGMA DE MEDICIÓN |
| 19 | P005003750 | 1 | +REPAIR KIT, CARBURETOR | +JUEGO DE REPARACIÓN DE CARBURADOR |
| 20 | P005000520 | 1 | ++GASKET, PUMP | ++EMPAQUETADURA DE LA BOMBA |
| 21 | P005000510 | 1 | ++DIAPHRAGM, PUMP | ++DIAFRAGMA DE LA BOMBA |
| 22 | P005000010 | 1 | ++SCREEN, FUEL INLET | ++MALLA FILTRADORA |
| 23 | P005001000 | 1 | ++GUIDE, ROLLER | ++GUÍA DE RODILLO |
| 24 | P005000940 | 1 | ++SPRING, METERING LEVER | ++RESORTE PALANCA DE MEDICIÓN |
| 25 | 12533813930 | 1 | ++PIN, METERING LEVER | ++PASADOR DE PALANCA DE MEDICIÓN |
| 26 | 12532308260 | 1 | ++LEVER, METERING | ++PALANCA DE MEDICIÓN |
| 27 | P005004030 | 1 | ++VALVE, INLET NEEDLE | ++VÁLVULA REGULADORA |
| 28 | P005000200 | 1 | ++GASKET, METERING DIAPHRAGM | ++EMPAQUETADURA DIAFRAGMA DE MEDICIÓN |
| 29 | | 1 | ++DIAPHRAGM, METERING | ++DIAFRAGMA DE MEDICIÓN |
| 30 | P005003740 | 1 | +GASKET / DIAPHRAGM KIT | +JUEGO DE EMPAQUETADURA / DIAFRAGMAS |
| 31 | P005000520 | 1 | ++GASKET, PUMP | ++EMPAQUETADURA DE LA BOMBA |
| 32 | P005000510 | 1 | ++DIAPHRAGM, PUMP | ++DIAFRAGMA DE LA BOMBA |
| 33 | P005000200 | 1 | ++GASKET, METERING DIAPHRAGM | ++EMPAQUETADURA DIAFRAGMA DE MEDICIÓN |
| 34 | | 1 | ++DIAPHRAGM, METERING | ++DIAFRAGMA DE MEDICIÓN |



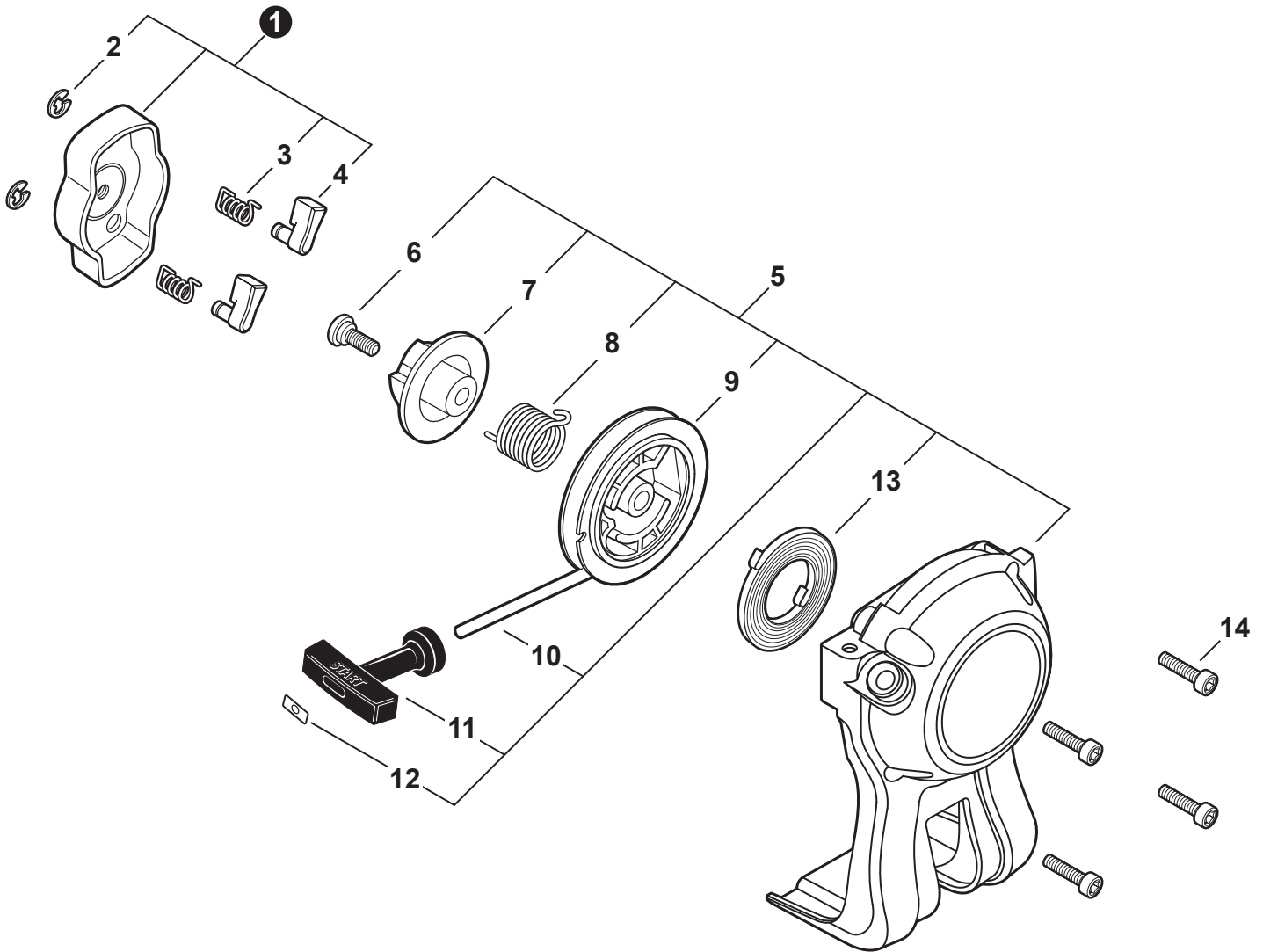
| NO. | PART NUMBER | QTY. | DESCRIPTION | DESCRIPCIÓN |
|-----|-------------|------|-------------------------------------|--|
| 1 | V299000250 | 1 | THUMBSCREW | TORNILLO DE OREJETAS |
| 2 | A232001850 | 1 | COVER, AIR FILTER | CUBIERTA DEL FILTRO DE AIRE |
| 3 | A226001410 | 1 | FILTER, AIR - DOUBLE LAYER | FILTRO DE AIRE - CAPA DOBLE |
| 4 | V805000090 | 2 | BOLT, TORX 5x55 | PERNO TORX 5x55 |
| 5 | 12901152730 | 1 | PLATE, PREVENT | PLACA DE PREVENCIÓN |
| 6 | P021012870 | 1 | CASE ASSY, AIR FILTER | MONTAJE DE CAJA DEL FILTRO DE AIRE |
| 7 | V103001390 | 1 | GASKET, INTAKE | EMPAQUETADURA DE ADMISIÓN |
| 8 | V805000160 | 2 | BOLT, TORX 5x20 | PERNO TORX 5x20 |
| 9 | A200001120 | 1 | INSULATOR, INTAKE | AISLADOR DE ADMISIÓN |
| 10 | V103001360 | 1 | HEAT SHIELD, INTAKE | PROTECTOR TÉRMICO DEL ADMISIÓN |
| 11 | 90152Y | 1 | TUNE-UP KIT - YOUCAN™ | JUEGO DE PUESTA A PUNTO - YOUCAN™ |
| 12 | P021051670 | 1 | GASKET KIT: ENGINE, INTAKE, EXHAUST | JUEGO DE EMPAQUETADURA - MOTOR, ADMISIÓN, ESCAPE |



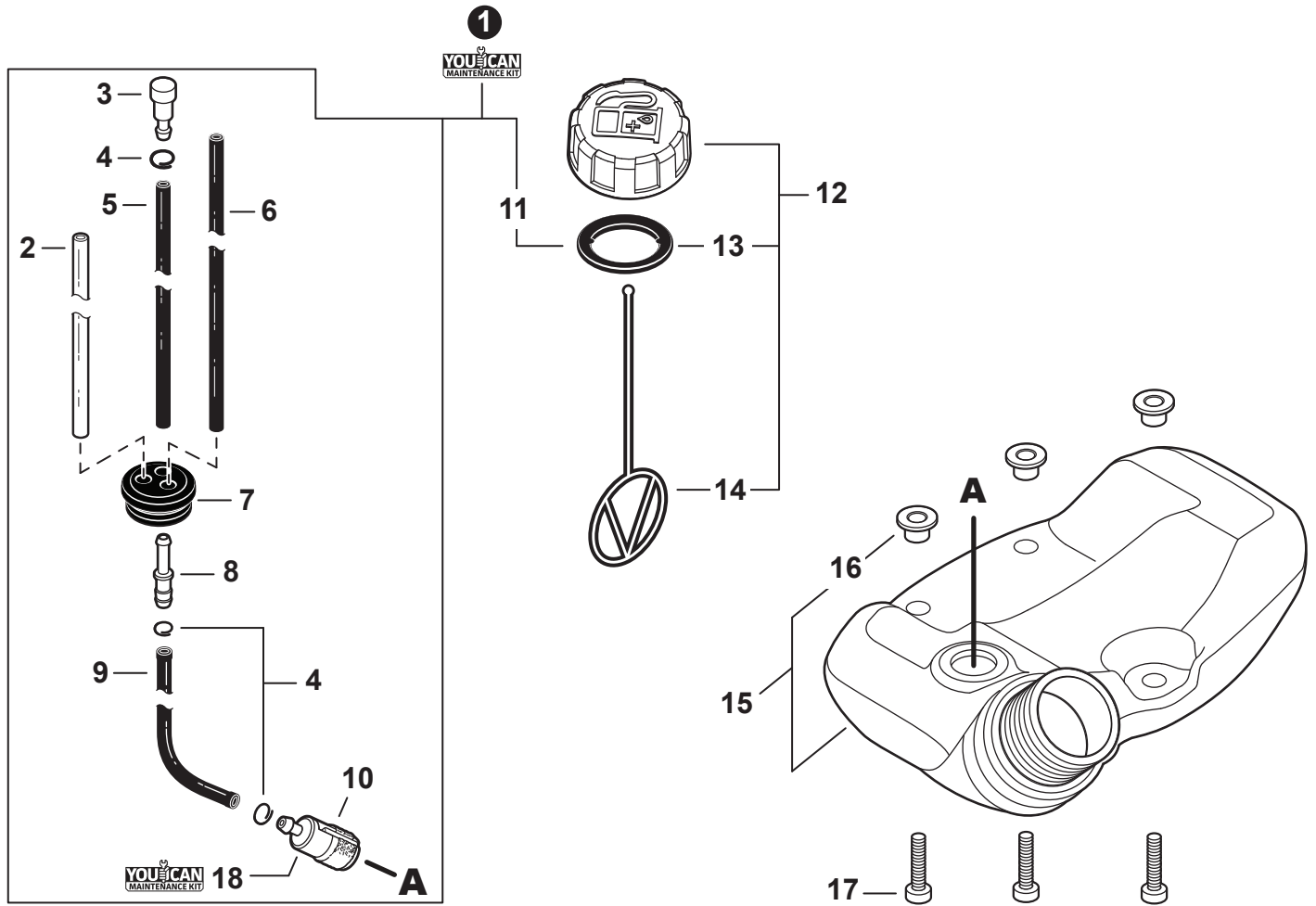
| NO. | PART NUMBER | QTY. | DESCRIPTION | DESCRIPCIÓN |
|-----|-------------|------|-------------------------------------|--|
| 1 | V104000850 | 1 | HEAT SHIELD, EXHAUST | PROTECTOR TÉRMICO DEL ESCAPE |
| 2 | P021036111 | 1 | MUFFLER ASSY | MONTAJE DE SILENCIADOR |
| 3 | A300000811 | 1 | +MUFFLER | +SILENCIADOR |
| 4 | 14586240630 | 1 | +SCREEN, SPARK ARRESTER | +PANTALLA DEL GUARDACHISPAS |
| 5 | V104001760 | 1 | +GASKET, EXHAUST | +EMPAQUETADURA DE ESCAPE |
| 6 | A313000600 | 1 | +GUIDE, EXHAUST | +GUÍA DE ESCAPE |
| 7 | V804000030 | 5 | +BOLT, TORX 4×8 | +PERNO TORX 4×8 |
| 8 | V150000371 | 1 | +PLATE, EYE | +PLACA |
| 9 | V805000190 | 2 | +BOLT, TORX 5×55 | +PERNO TORX 5×55 |
| 10 | A320000480 | 1 | COVER, MUFFLER | CUBIERTA DEL SILENCIADOR |
| 11 | V805000150 | 1 | BOLT, TORX 5×16 | PERNO TORX 5×16 |
| 12 | V805000000 | 1 | BOLT, TORX 5×16 | PERNO TORX 5×16 |
| 13 | P021051670 | 1 | GASKET KIT: ENGINE, INTAKE, EXHAUST | JUEGO DE EMPAQUETADURA - MOTOR, ADMISIÓN, ESCAPE |



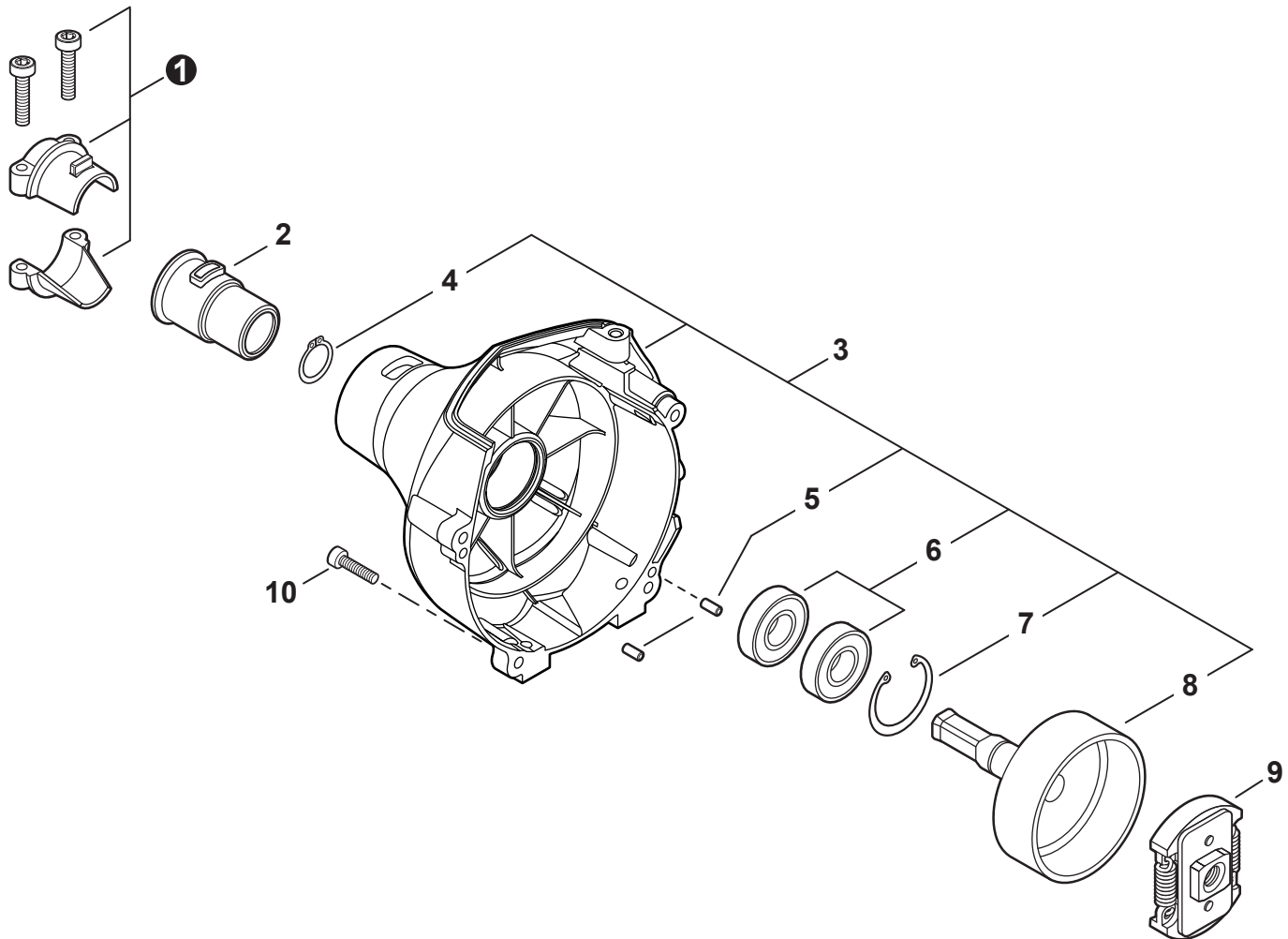
| NO. | PART NUMBER | QTY. | DESCRIPTION | DESCRIPCIÓN |
|-----|-------------|------|------------------------|-----------------------------------|
| 1 | A411001690 | 1 | COIL, IGNITION | BOBINA DE ENCENDIDO |
| 2 | V804000070 | 2 | BOLT, TORX 4×20 | PERNO TORX 4×20 |
| 3 | V485001120 | 1 | LEAD - IGNITION L= 210 | CABLE DE ENCENDIDO L= 210 |
| 4 | V475007510 | 1 | TUBE, INSULATOR | TUBO AISLANTE |
| 5 | A426000010 | 1 | TERMINAL, SPARK PLUG | TERMINAL DE BUJÍA |
| 6 | A427000210 | 1 | CAP, SPARK PLUG | TAPA DE BUJÍA |
| 7 | 15901019830 | 1 | SPARK PLUG - BPM8Y | BUJÍA - BPM8Y |
| 8 | A425000000 | 1 | SPARK PLUG - BPMR8Y | BUJÍA - BPMR8Y |
| 9 | A409001310 | 1 | FLYWHEEL | VOLANTE |
| 10 | 10014212330 | 1 | KEY, WOODRUFF | CHAVETA WOODRUFF |
| 11 | 16201427230 | 1 | LEAD - GROUND L= 115 | CABLE DE TIERRA L= 115 |
| 12 | 15911621231 | 1 | CLAMP | ABRAZADERA |
| 13 | V805000130 | 1 | BOLT, TORX 5×10 | PERNO TORX 5×10 |
| 14 | 90152Y | 1 | TUNE-UP KIT - YOUCAN™ | JUEGO DE PUESTA A PUNTO - YOUCAN™ |



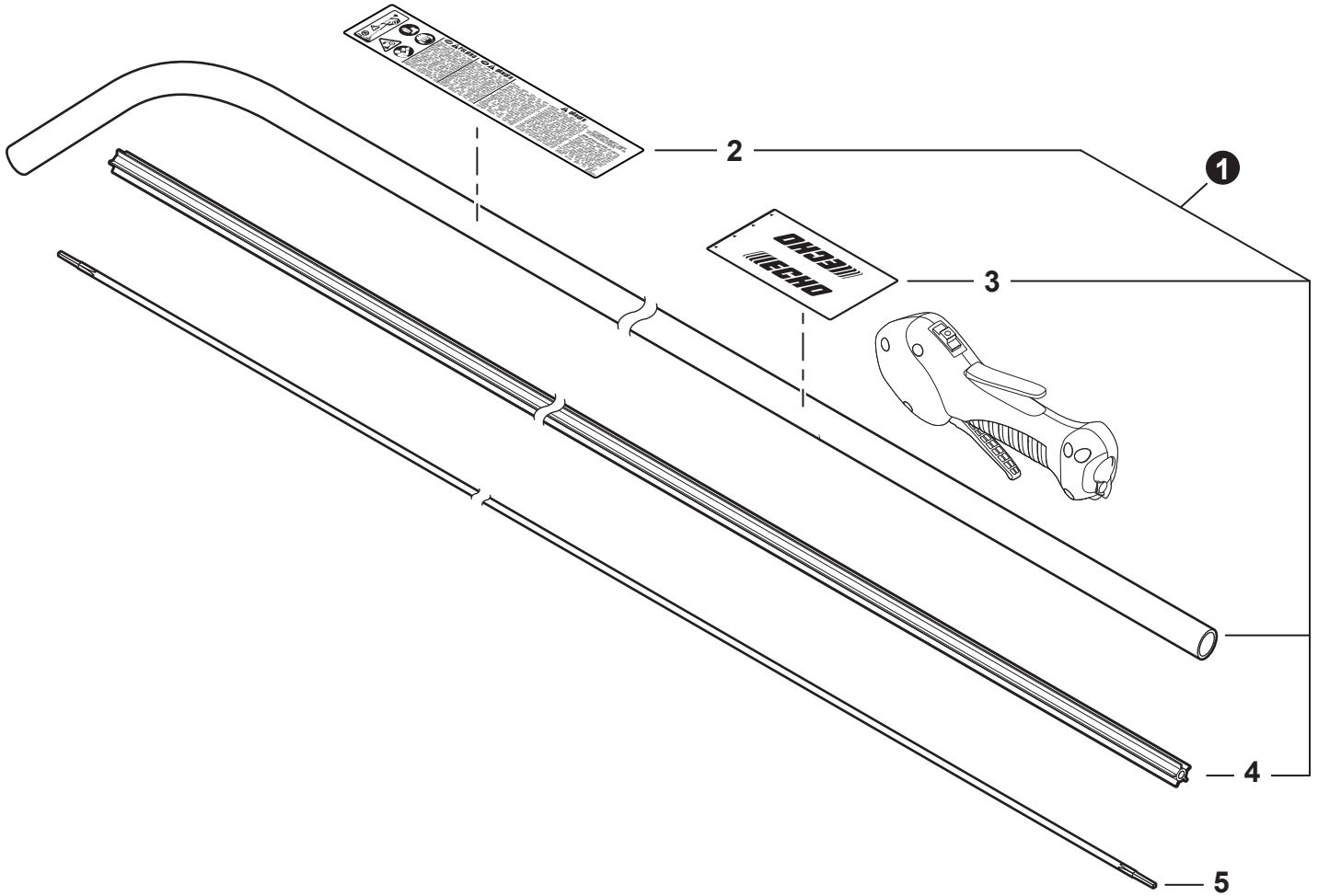
| NO. | PART NUMBER | QTY. | DESCRIPTION | DESCRIPCIÓN |
|-----|-------------|------|----------------------|--------------------------------------|
| 1 | A052000180 | 1 | PAWL ASSY, STARTER | MONTAJE DE TRINQUETE |
| 2 | P022002100 | 2 | +E-RING 4 | +RETENEDOR TIPO "E" 4 |
| 3 | 17723412220 | 2 | +SPRING, RETURN | +RESORTE DE RETORNO |
| 4 | P022006850 | 2 | +PAWL, STARTER | +TRINQUETE |
| 5 | A051001312 | 1 | STARTER ASSY, RECOIL | MONTAJE DE ARRANCADOR AUTORRETRÁCTIL |
| 6 | 17723661830 | 1 | +SCREW | +TORNILLO |
| 7 | A525000020 | 1 | +PLATE, CAM | +PLACA DE LEVA |
| 8 | P022008270 | 1 | +SPRING, TORSION | +RESORTE DE TORSIÓN |
| 9 | A506000500 | 1 | +REEL, ROPE | +CARRETE DEL CABLE |
| 10 | P022019990 | 1 | +ROPE, STARTER | +CUERDA DEL ARRANCADOR |
| 11 | 17722827030 | 1 | +GRIP, STARTER | +AGARRE DEL ARRANCADOR |
| 12 | 17724611120 | 1 | +RETAINER, ROPE | +RETENEDOR DE CUERDA |
| 13 | P022019680 | 1 | +SPRING, RECOIL | +RESORTE RECULAR |
| 14 | V804000060 | 4 | BOLT, TORX 4x16 | PERNO TORX 4x16 |



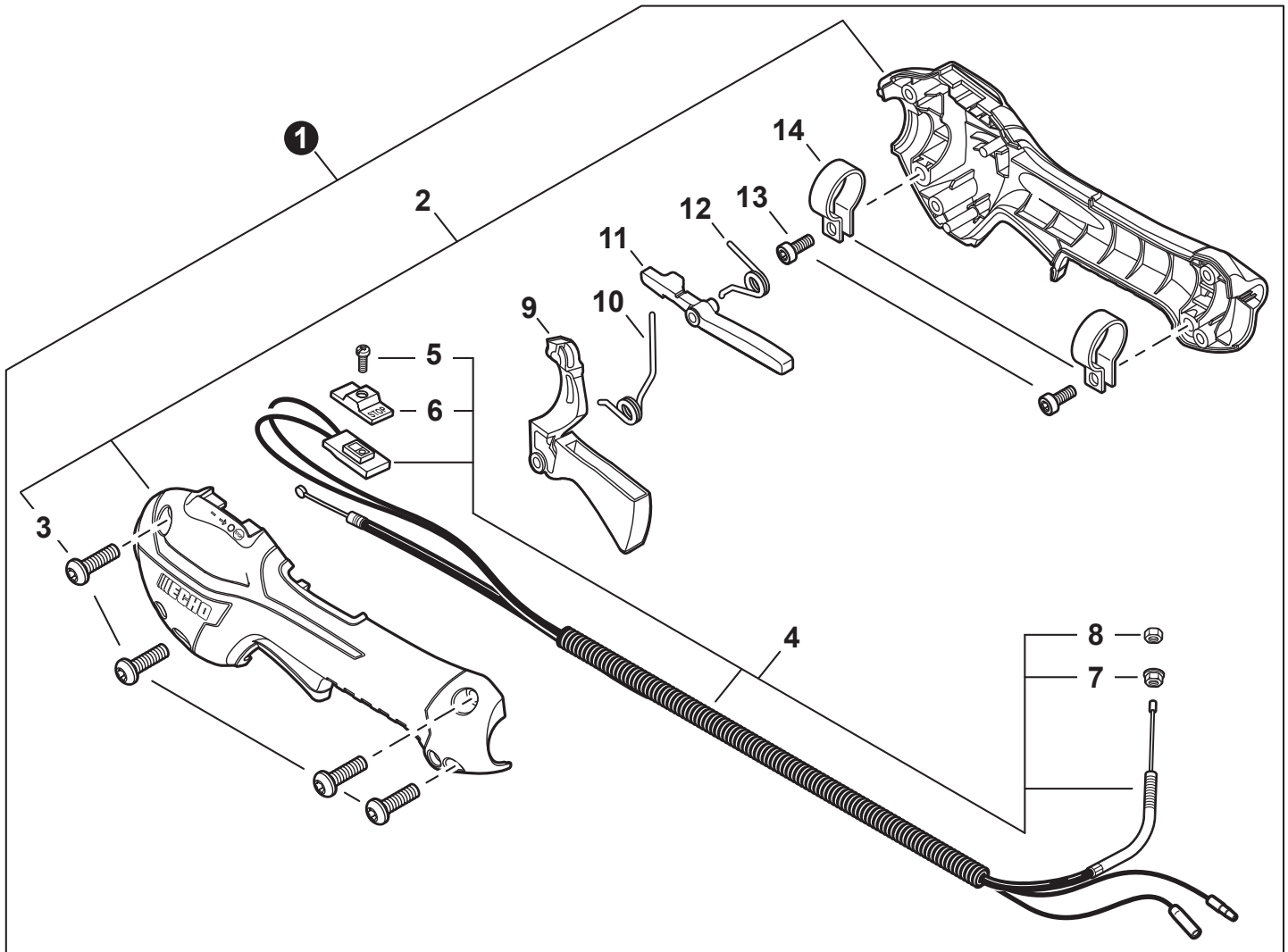
| NO. | PART NUMBER | QTY. | DESCRIPTION | DESCRIPCIÓN |
|-----|-------------|------|----------------------------|--|
| 1 | 90127Y | 1 | FUEL SYSTEM KIT - YOUCAN™ | KIT DEL SISTEMA DE COMBUSTIBLE - YOUCAN™ |
| 2 | 13201256030 | 1 | +PIPE, FUEL 3×6×80 CLEAR | +TUBO DE COMBUSTIBLE 3×6×80 TRANSPARENTE |
| 3 | A356000031 | 1 | +VENT ASSY | +VÁLVULA DE RESPIRADERO |
| 4 | V490001240 | 3 | +CLIP Ø6 | +SUJETADOR Ø6 |
| 5 | V471001210 | 1 | +PIPE, FUEL 3×5×90 BLACK | +TUBO DE COMBUSTIBLE 3×5×90 NEGRO |
| 6 | V471005620 | 1 | +PIPE, FUEL 3×5.5×74 BLACK | +TUBO DE COMBUSTIBLE 3×5.5×74 NEGRO |
| 7 | 13211546730 | 1 | +GROMMET, FUEL Ø5 | +OJAL DE COMBUSTIBLE Ø5 |
| 8 | V186000520 | 1 | +CONNECTOR, PIPE Ø5×Ø3.5 | +CONECTOR DE TUBO Ø5×Ø3.5 |
| 9 | V471003700 | 1 | +PIPE, FUEL 3×5×130 BLACK | +TUBO DE COMBUSTIBLE 3×5×130 NEGRO |
| 10 | A369000480 | 1 | +FILTER, FUEL | +FILTRO DE COMBUSTIBLE |
| 11 | V107000150 | 1 | +GASKET, FUEL CAP | +EMPAQUETADURA DE TAPA DE COMBUSTIBLE |
| 12 | P021040430 | 1 | CAP ASSY, FUEL | MONTAJE DE TAPA DE COMBUSTIBLE |
| 13 | V107000150 | 1 | +GASKET, FUEL CAP | +EMPAQUETADURA DE TAPA DE COMBUSTIBLE |
| 14 | A365000060 | 1 | +CONNECTOR, CAP L= 123 | +CONECTOR DE TAPA L= 123 |
| 15 | A350002271 | 1 | TANK ASSY, FUEL | MONTAJE DE TANQUE DE COMBUSTIBLE |
| 16 | V353000231 | 3 | +COLLAR 5 | +COLLAR 5 |
| 17 | V805000160 | 3 | BOLT, TORX 5×20 | PERNO TORX 5×20 |
| 18 | 90152Y | 1 | TUNE-UP KIT - YOUCAN™ | JUEGO DE PUESTA A PUNTO - YOUCAN™ |



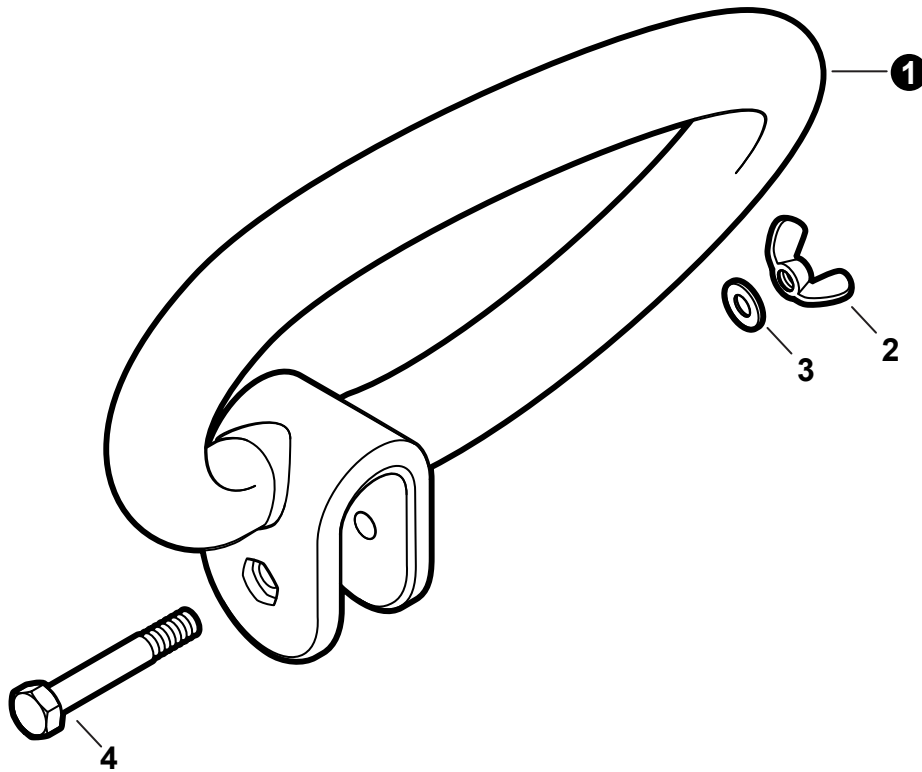
| NO. | PART NUMBER | QTY. | DESCRIPTION | DESCRIPCIÓN |
|-----|-------------------|------|------------------------|--|
| 1 | P021043640 | 1 | HOLDER KIT | JUEGO DE SUJETADOR |
| 2 | 61091055230 | 1 | CUSHION Ø25 | AMORTIGUADOR Ø25 |
| 3 | P021049961 | 1 | COVER ASSY, FAN | MONTAJE DE CUBIERTA DE VENTILADOR |
| 4 | 90070100012 | 1 | +RING, SNAP 12 | +ANILLO RETENEDOR 12 |
| 5 | V622000020 | 2 | +PIN, LOCATING 4 | +PASADOR DE POSICIONAMIENTO 4 |
| 6 | 9405106001 | 2 | +BEARING, BALL 6001 | +COJINETE DE BALINES 6001 |
| 7 | 90070200028 | 1 | +RING, SNAP 28 | +ANILLO RETENEDOR 28 |
| 8 | 17500548931 | 1 | +DRUM, CLUTCH | +TAMBOR EMBRAGUE |
| 9 | A056000820 | 1 | CLUTCH ASSY | MONTAJE DE EMBRAGUE |
| 10 | V804000060 | 4 | BOLT, TORX 4×16 | PERNO TORX 4×16 |



| NO. | PART NUMBER | QTY. | DESCRIPTION | DESCRIPCIÓN |
|-----|-------------|------|-------------------------|---------------------------------|
| 1 | C050002940 | 1 | MAIN PIPE ASSY | MONTAJE DE TUBO PRINCIPAL |
| 2 | X505002500 | 1 | +LABEL, CAUTION | +ETIQUETA DE PRECAUCIÓN |
| 3 | X505001930 | 1 | +LABEL, HANDLE LOCATION | +ETIQUETA - UBICACIÓN DEL MANGO |
| 4 | C507000370 | 1 | +LINER - FLEXIBLE | +FORRO - FLEXIBLE |
| 5 | C506000440 | 1 | DRIVESHAFT - FLEXIBLE | EJE DE MANDO - FLEXIBLE |

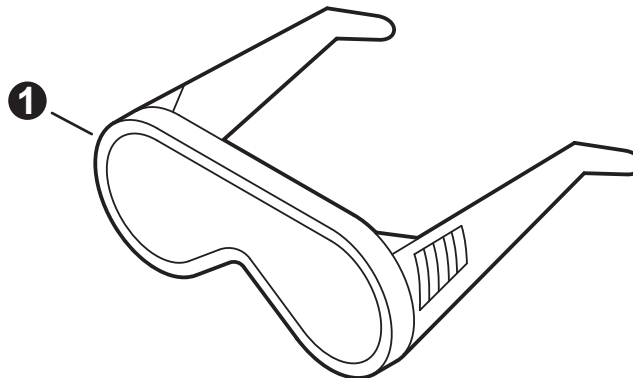


| NO. | PART NUMBER | QTY. | DESCRIPTION | DESCRIPCIÓN |
|-----|-------------|------|--------------------------|----------------------------------|
| 1 | P021044483 | 1 | CONTROL HANDLE ASSY | MONTAJE DE MANGO DE CONTROL |
| 2 | P021044371 | 1 | +CONTROL HANDLE KIT | +JUEGO DE MANGO DE CONTROL |
| 3 | V805000000 | 4 | ++BOLT, TORX 5×16 | ++PERNO TORX 5×16 |
| 4 | P021044750 | 1 | +CABLE ASSY, CONTROL | +MONTAJE DE CABLE PARA CONTROL |
| 5 | 9154503010 | 1 | ++SCREW 3×10 | ++TORNILLO 3×10 |
| 6 | A444000020 | 1 | ++KNOB, SWITCH - ORANGE | ++BOTÓN DE INTERRUPTOR - NARANJA |
| 7 | 90051800006 | 1 | ++NUT, FLANGE M6 | ++TUERCA-BRIDA M6 |
| 8 | 90050200006 | 1 | ++NUT M6 | ++TUERCA M6 |
| 9 | C453000482 | 1 | +TRIGGER, THROTTLE | +GATILLO DEL ACELERADOR |
| 10 | V452001520 | 1 | +SPRING, TORSION | +RESORTE DE TORSIÓN |
| 11 | C460000441 | 1 | +LEVER, THROTTLE LOCKOUT | +PALANCA SEGURO DEL ACELERADOR |
| 12 | V452001510 | 1 | +SPRING, TORSION | +RESORTE DE TORSIÓN |
| 13 | V805000150 | 2 | +BOLT, TORX 5×16 | +PERNO TORX 5×16 |
| 14 | V495003020 | 2 | +CLAMP | +ABRAZADERA |

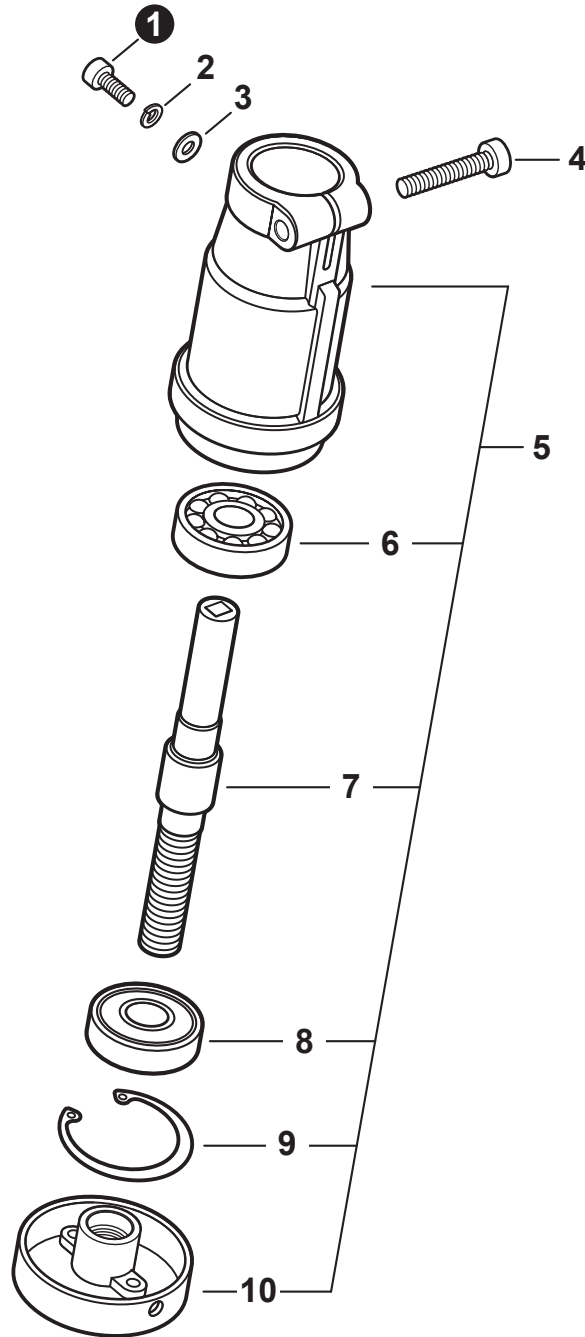


| NO. | PART NUMBER | QTY. | DESCRIPTION | DESCRIPCIÓN |
|-----|-------------|------|-------------------|-------------------------|
| 1 | C400000310 | 1 | HANDLE, SUPPORT | MANGO DE SOPORTE |
| 2 | 90003300008 | 1 | NUT, WING 1/4"-20 | TUERCA MARIPOSA 1/4"-20 |
| 3 | 90003500008 | 1 | WASHER, 1/4" | ARANDELA 1/4" |
| 4 | 90001708064 | 1 | BOLT 1/4"-20x2" | PERNO 1/4"-20x2" |

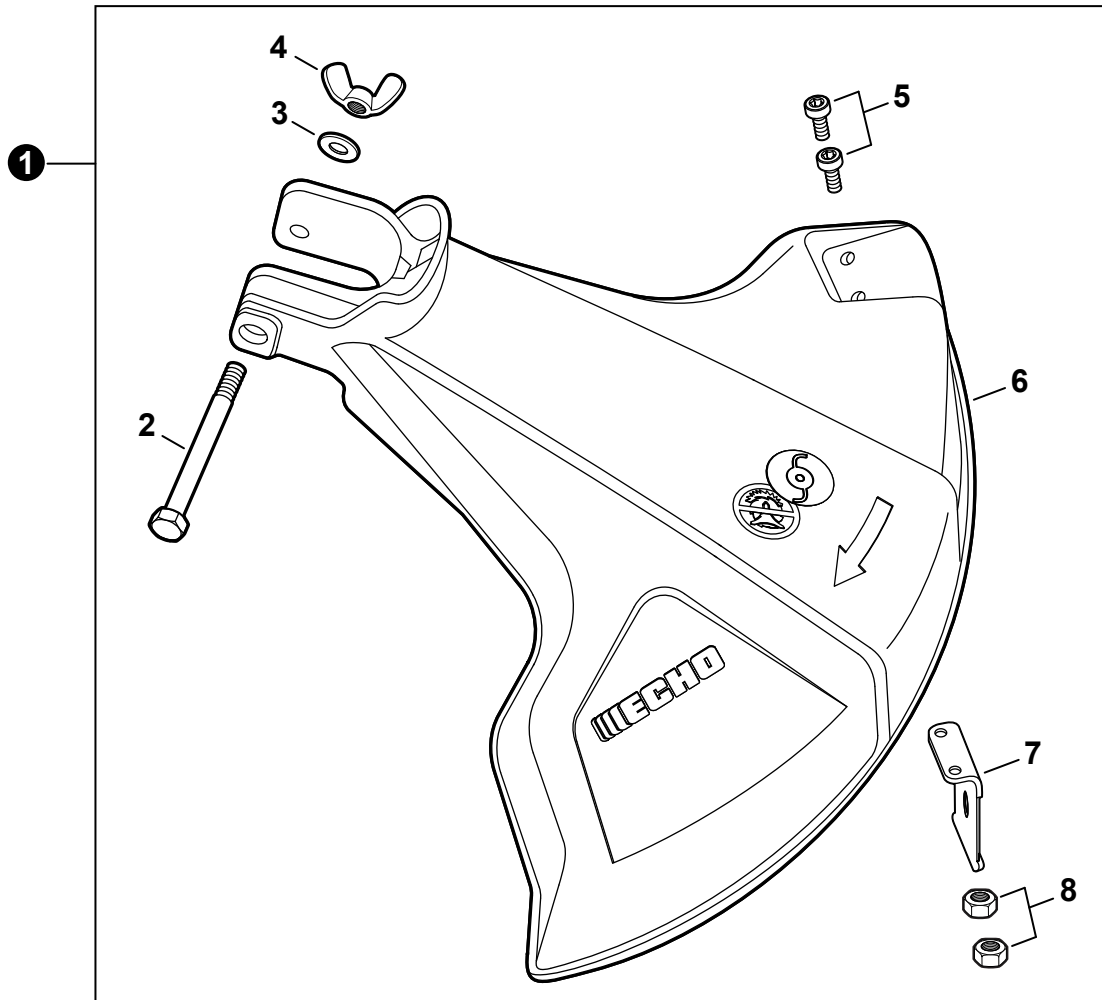
Tools
Herramientas



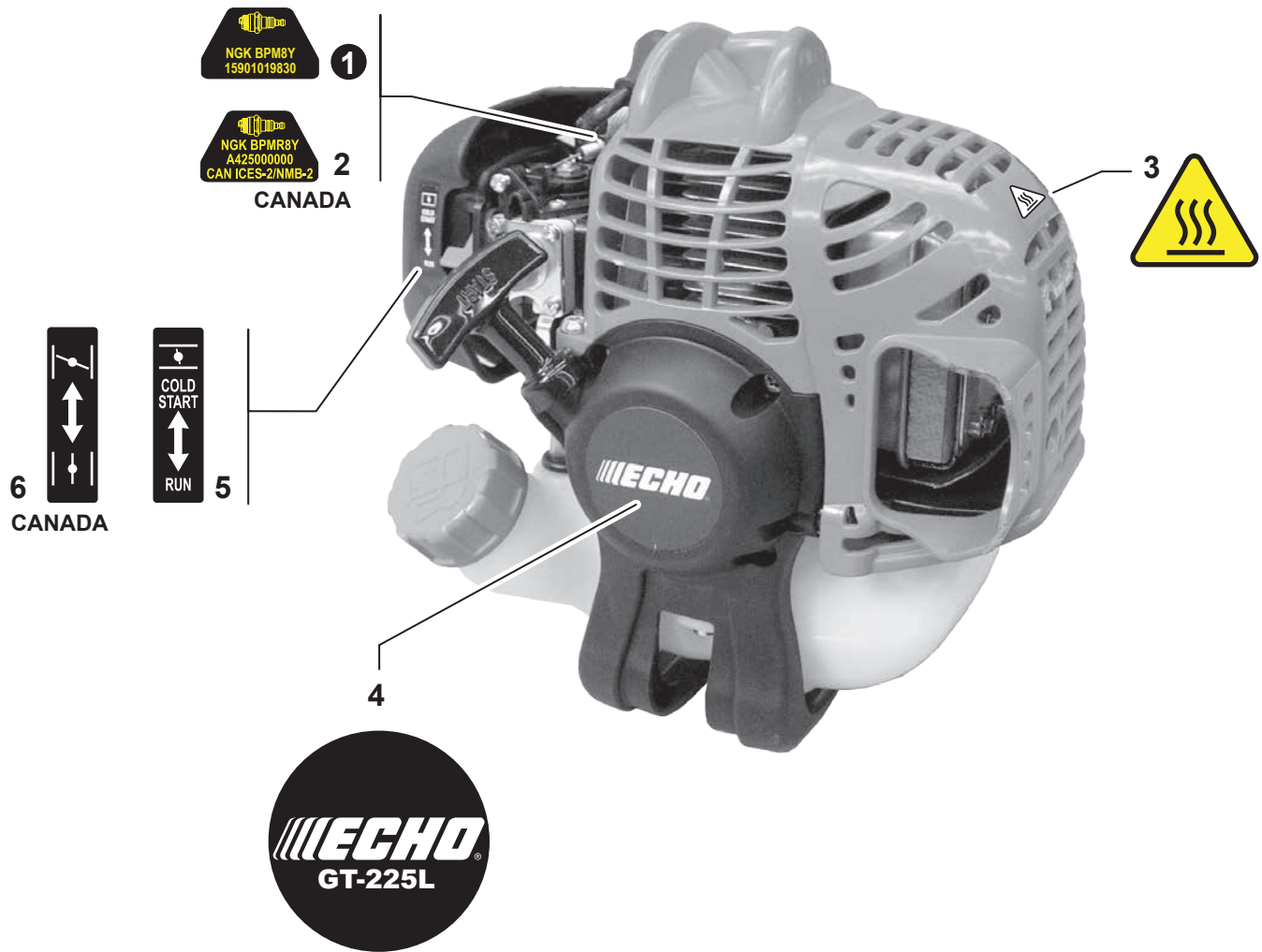
| NO. | PART NUMBER | QTY. | DESCRIPTION | DESCRIPCIÓN |
|-----|-------------|------|-----------------|-----------------------|
| 1 | X690000080 | 1 | GLASSES, SAFETY | ANTEOJOS DE SEGURIDAD |



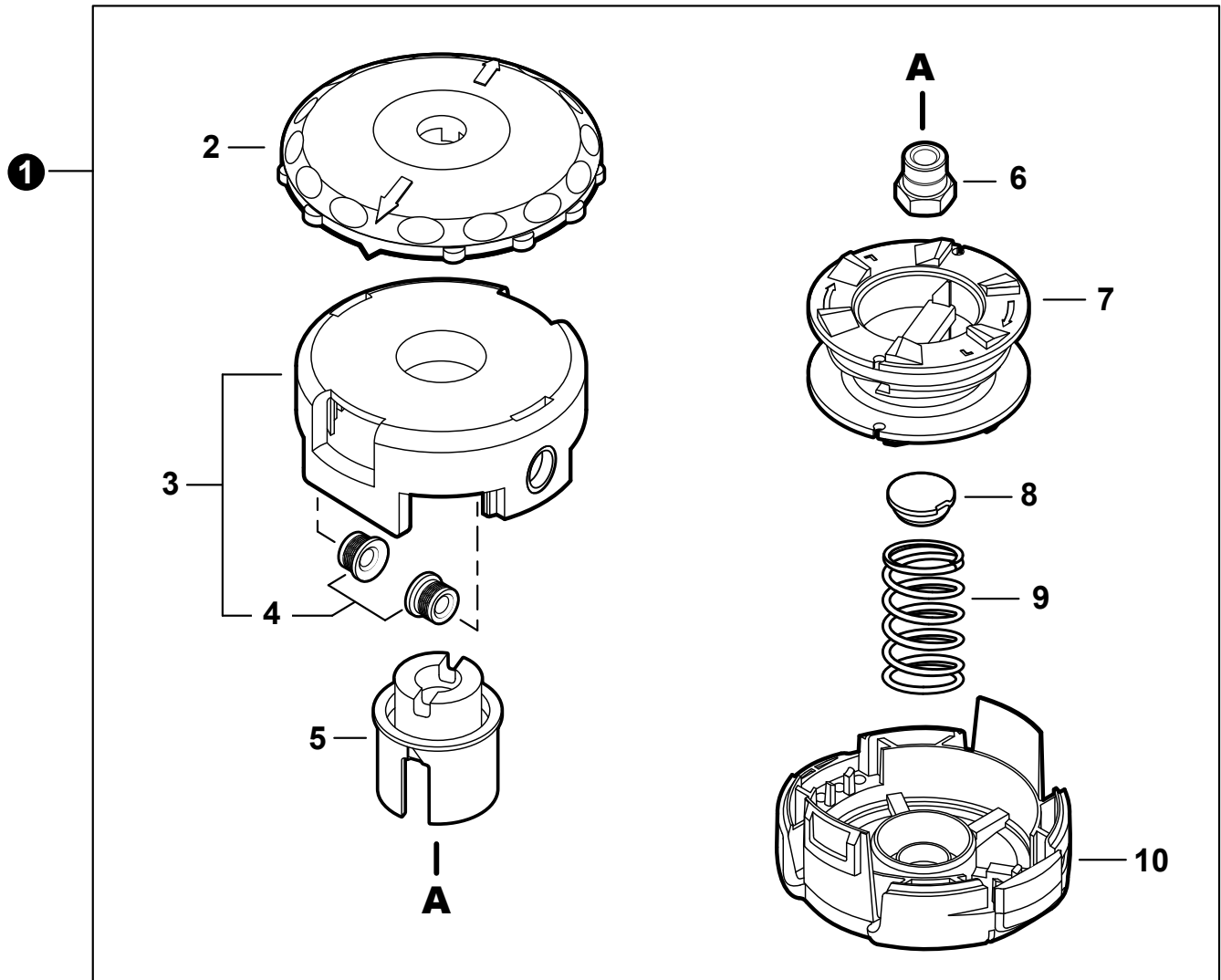
| NO. | PART NUMBER | QTY. | DESCRIPTION | DESCRIPCIÓN |
|-----|-------------------|------|-------------------------|--------------------------------------|
| 1 | V804000040 | 1 | BOLT, TORX 4×10 | PERNO TORX 4×10 |
| 2 | 90060500004 | 1 | WASHER, SPRING 4 MM | ARANDELA DE PRESION 4 MM |
| 3 | 90060000004 | 1 | WASHER 4 MM | ARANDELA 4 MM |
| 4 | V805000170 | 1 | BOLT, TORX 5×25 | PERNO TORX 5×25 |
| 5 | C056000001 | 1 | GEAR CASE ASSY | MONTAJE DE CAJA DE ENGRANAJES |
| 6 | 9406006200 | 1 | +BEARING, BALL 6200 | +COJINETE DE BALINES 6200 |
| 7 | C534000950 | 1 | +SHAFT, GEAR | +EJE DE ENGRANAJE |
| 8 | 9406106200 | 1 | +BEARING, BALL 6200 | +COJINETE DE BALINES 6200 |
| 9 | 90070200030 | 1 | +E-RING 30 | +RETENEDOR TIPO "E" 30 |
| 10 | C535000240 | 1 | +PLATE, ADAPTOR - UPPER | +PLACA DEL ADAPTADOR SUPERIOR |



| NO. | PART NUMBER | QTY. | DESCRIPTION | DESCRIPCIÓN |
|-----|-------------|------|--------------------|--------------------------------------|
| 1 | P021016072 | 1 | DEBRIS SHIELD ASSY | MONTAJE DE PROTECTOR CONTRA RESIDUOS |
| 2 | 90001708064 | 1 | +BOLT 1/4"-20×2" | +PERNO 1/4"-20×2" |
| 3 | 90003500008 | 1 | +WASHER, 1/4" | +ARANDELA 1/4" |
| 4 | 90003300008 | 1 | +NUT, WING 1/4"-20 | +TUERCA MARIPOSA 1/4"-20 |
| 5 | V835000010 | 2 | +BOLT, TORX 5×12 | +PERNO TORX 5×12 |
| 6 | 69901044331 | 1 | +SHIELD, DEBRIS | +PROTECTOR CONTRA RESIDUOS |
| 7 | C554000080 | 1 | +CUTTER, LINE | +CUCHILLA DEL HILO |
| 8 | 90050000005 | 2 | +NUT M5 | +TUERCA M5 |



| NO. | PART NUMBER | QTY. | DESCRIPTION | DESCRIPCIÓN |
|-----|-------------|------|----------------------------|---------------------------------|
| 1 | X532005130 | 1 | LABEL, SPARK PLUG - BPM8Y | ETIQUETA DE BUJÍA BPM8Y |
| 2 | X532004970 | 1 | LABEL, SPARK PLUG - BPMR8Y | ETIQUETA DE BUJÍA BPMR8Y |
| 3 | X505008220 | 1 | LABEL, CAUTION - HOT | ETIQUETA DE PRECAUCIÓN CALIENTE |
| 4 | X548000050 | 1 | LABEL, MODEL - GT-225L | ETIQUETA MODELO GT-225L |
| 5 | 89012152730 | 1 | LABEL, CHOKE | ETIQUETA DEL ESTRANGULADOR |
| 6 | 89033252730 | 1 | LABEL, CHOKE | ETIQUETA DEL ESTRANGULADOR |



| NO. | PART NUMBER | QTY. | DESCRIPTION | DESCRIPCIÓN |
|-----|-------------|------|-------------------------------|----------------------------------|
| 1 | 99944200908 | 1 | TRIMMER HEAD, SPEED-FEED® 400 | CABEZAL DE CORTE SPEED-FEED® 400 |
| 2 | E415000180 | 1 | +KNOB | +PERILLA |
| 3 | X470000330 | 1 | +HOUSING ASSY, SPOOL | +MONTAJE DE CAJA DEL CARRETE |
| 4 | X475000110 | 2 | ++EYELET | ++OJAL |
| 5 | X476000050 | 1 | +HUB (RH) WHITE | +CUBO (RH) BLANCO |
| 6 | V160000160 | 1 | +BUSHING 3/8"-24 RH BLACK | +BUJE 3/8"-24 RH NEGRO |
| 7 | X473000130 | 1 | +SPOOL | +CARRETE |
| 8 | V494000840 | 1 | +CAP, SPRING | +TAPA DE RESORTE |
| 9 | V450001880 | 1 | +SPRING, GOLD | +RESORTE ORO |
| 10 | X472000070 | 1 | +COVER, SPOOL | +CUBIERTA DEL CARRETE |

| NO. | PART NUMBER | QTY. | DESCRIPTION | DESCRIPCIÓN |
|-----|-------------|------|-------------------------------------|--|
| 1 | P021051670 | 1 | GASKET KIT: ENGINE, INTAKE, EXHAUST | JUEGO DE EMPAQUETADURA - MOTOR, ADMISIÓN, ESCAPE |
| 2 | 10024242030 | 1 | +GASKET, CRANKCASE | +EMPAQUETADURA DE CÁRTER |
| 3 | 10101044332 | 1 | +GASKET, CYLINDER | +EMPAQUETADURA DE CILINDRO |
| 4 | V103001390 | 1 | +GASKET, INTAKE | +EMPAQUETADURA DE ADMISIÓN |
| 5 | V103001360 | 1 | +HEAT SHIELD, INTAKE | +PROTECTOR TÉRMICO DEL ADMISIÓN |
| 6 | V104000850 | 1 | +HEAT SHIELD, EXHAUST | +PROTECTOR TÉRMICO DEL ESCAPE |
| 7 | V104001761 | 1 | +GASKET, EXHAUST | +EMPAQUETADURA DE ESCAPE |
| 8 | 90152Y | 1 | TUNE-UP KIT - YOUCAN™ | JUEGO DE PUESTA A PUNTO - YOUCAN™ |
| 9 | A369000440 | 1 | +FILTER, FUEL | +FILTRO DE COMBUSTIBLE |
| 10 | A226001410 | 1 | +FILTER, AIR - DOUBLE LAYER | +FILTRO DE AIRE - CAPA DOBLE |
| 11 | A425000000 | 1 | +SPARK PLUG - BPMR8Y | +BUJÍA - BPMR8Y |
| 12 | 90127Y | 1 | FUEL SYSTEM KIT - YOUCAN™ | KIT DEL SISTEMA DE COMBUSTIBLE - YOUCAN™ |
| 13 | 13201256030 | 1 | +PIPE, FUEL 3×6×80 CLEAR | +TUBO DE COMBUSTIBLE 3×6×80 TRANSPARENTE |
| 14 | A356000031 | 1 | +VENT ASSY | +VÁLVULA DE RESPIRADERO |
| 15 | V490001240 | 3 | +CLIP Ø6 | +SUJETADOR Ø6 |
| 16 | V471001210 | 1 | +PIPE, FUEL 3×5×90 BLACK | +TUBO DE COMBUSTIBLE 3×5×90 NEGRO |
| 17 | V471003691 | 1 | +PIPE, FUEL 3×5×74 BLACK | +TUBO DE COMBUSTIBLE 3×5×74 NEGRO |
| 18 | 13211546730 | 1 | +GROMMET, FUEL Ø5 | +OJAL DE COMBUSTIBLE Ø5 |
| 19 | V186000520 | 1 | +CONNECTOR, PIPE Ø5×Ø3.5 | +CONECTOR DE TUBO Ø5×Ø3.5 |
| 20 | V471003700 | 1 | +PIPE, FUEL 3×5×130 BLACK | +TUBO DE COMBUSTIBLE 3×5×130 NEGRO |
| 21 | A369000480 | 1 | +FILTER, FUEL | +FILTRO DE COMBUSTIBLE |
| 22 | V107000150 | 1 | +GASKET, FUEL CAP | +EMPAQUETADURA DE TAPA DE COMBUSTIBLE |
| 23 | P005003120 | 1 | +BULB, PURGE | +BULBO DE PURGA |

Bulk Pipe

Tubo al por mayor

| NO. | PART NUMBER | QTY. | DESCRIPTION | DESCRIPCIÓN |
|-----|-------------|------|---|--|
| 1 | 90014 | 1 | BULK PIPE - 3×5 MM BLACK (4 PIECES×2 M) | TUBO AL POR MAYOR 3×5 MM NEGRO (4 PIEZAS×2 M) |
| 2 | 90015 | 1 | BULK PIPE - 3×6 MM BLACK (4 PIECES×2 M) | TUBO AL POR MAYOR 3×6 MM NEGRO (4 PIEZAS×2 M) |
| 3 | 90016 | 1 | BULK PIPE - 3×7 MM BLACK (4 PIECES×2 M) | TUBO AL POR MAYOR 3×7 MM NEGRO (4 PIEZAS×2 M) |
| 4 | 90017 | 1 | BULK PIPE - 3×6 MM CLEAR (4 PIECES×2 M) | TUBO AL POR MAYOR 3×6 MM TRANSPARENTE (4 PIEZAS×2 M) |
| 5 | 90018 | 1 | BULK PIPE - 2×4 MM CLEAR (4 PIECES×2 M) | TUBO AL POR MAYOR 2×4 MM TRANSPARENTE (4 PIEZAS×2 M) |

Bulk Starter Rope

Cuerda del arrancador al por mayor

| NO. | PART NUMBER | QTY. | DESCRIPTION | DESCRIPCIÓN |
|-----|-------------|------|-----------------------------------|--|
| 1 | 99944435000 | 1 | BULK STARTER ROPE - Ø 2.3 MM×61 M | CUERDA DEL ARRANCADOR AL POR MAYOR Ø 2.3 MM×61 M |
| 2 | 99944440000 | 1 | BULK STARTER ROPE - Ø 3.0 MM×61 M | CUERDA DEL ARRANCADOR AL POR MAYOR Ø 3.0 MM×61 M |
| 3 | 99944445000 | 1 | BULK STARTER ROPE - Ø 3.5 MM×61 M | CUERDA DEL ARRANCADOR AL POR MAYOR Ø 3.5 MM×61 M |
| 4 | 99944450000 | 1 | BULK STARTER ROPE - Ø 4.0 MM×61 M | CUERDA DEL ARRANCADOR AL POR MAYOR Ø 4.0 MM×61 M |
| 5 | 99944455000 | 1 | BULK STARTER ROPE - Ø 4.4 MM×61 M | CUERDA DEL ARRANCADOR AL POR MAYOR Ø 4.4 MM×61 M |
| 6 | 99944460000 | 1 | BULK STARTER ROPE - Ø 4.8 MM×61 M | CUERDA DEL ARRANCADOR AL POR MAYOR Ø 4.8 MM×61 M |