



**PARTS CATALOG**  
**LISTA DE PIEZAS**

**CS-590**  
**Chain Saw**  
Motosierra



**59.8 cc**

**SERIAL NUMBER**  
NÚMERO DE SERIE

**C25812001001 - C25812999999**

**Optional Attachments & Accessories Accessories**

Carry Bag	103942147
Camouflage Carry Bag	103942148
Kick Guard Kit	2893201
Bar & Chain Cover - 20"	89850308034
ToughChest Chain Saw Case - 20"	99988801210

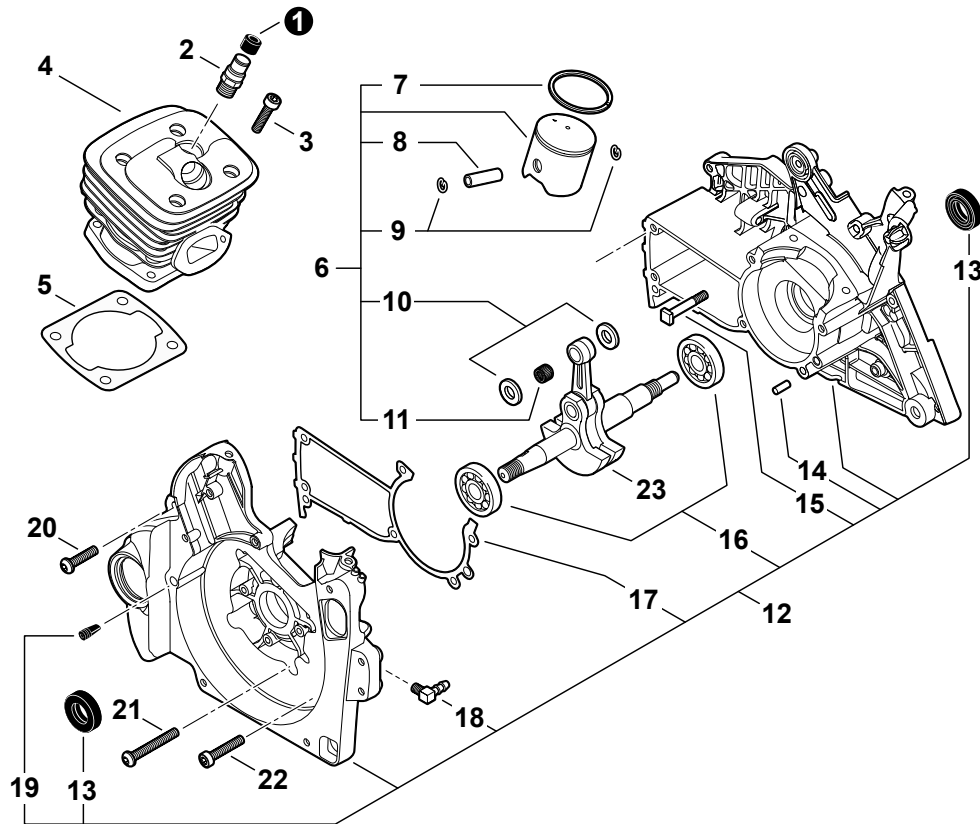
**Accesorios & Accesorios Opcionales Accesorios**

Bolso de Transporte	103942147
Bolso de Transporte de Camuflaje	103942148
Kit de protector contra patadas	2893201
Cubierta de la Barra y de la Cadena - 20"	89850308034
ToughChest Chain Saw Case - 20"	99988801210

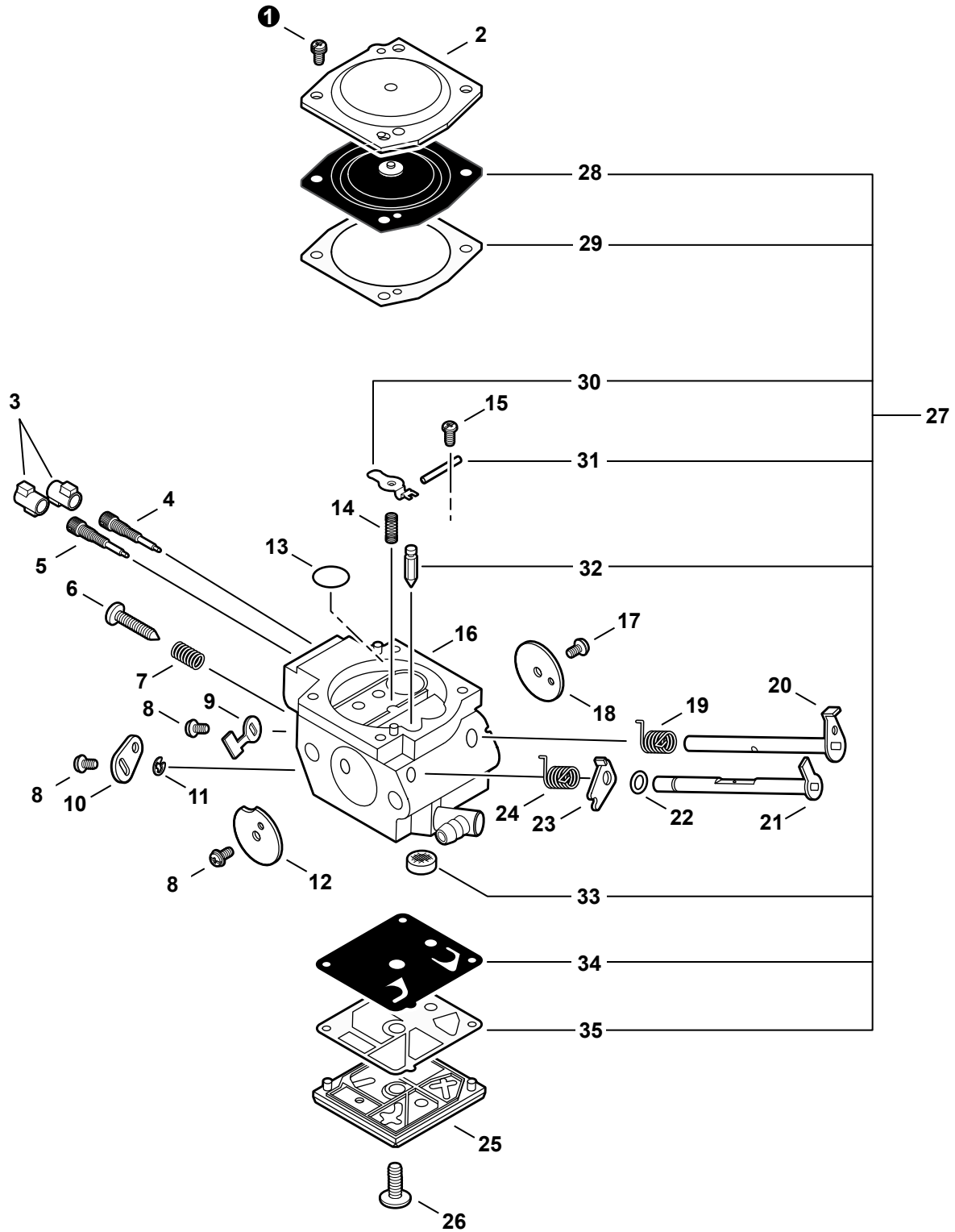
**ECHO, INCORPORATED**

400 Oakwood Road Lake Zurich, Illinois 60047  
WWW.ECHO-USA.COM

<b>Engine</b> .....	<b>3</b>	<b>Guide Bar, Sawing Chain, Kick Guard</b> .....	<b>18</b>
Motor		Barra Guía, Cadena de Sierra, Protector Contra	
		Patadas	
<b>Carburetor</b> .....	<b>4</b>	<b>Labels</b> .....	<b>19</b>
Carburador		Etiquetas	
<b>Carburetor</b> .....	<b>5</b>	<b>RePower Maintenance Kits</b> .....	<b>20</b>
Carburador		Kits de Mantenimiento RePower	
<b>Intake</b> .....	<b>6</b>		
Admisión			
<b>Intake</b> .....	<b>7</b>		
Admisión			
<b>Exhaust</b> .....	<b>8</b>		
Escape			
<b>Starter</b> .....	<b>9</b>		
Arrancador			
<b>Ignition</b> .....	<b>10</b>		
Ignición			
<b>Fuel System</b> .....	<b>11</b>		
Sistema de Combustible			
<b>Oil System</b> .....	<b>12</b>		
Sistema de Aceite			
<b>Clutch</b> .....	<b>13</b>		
Embrague			
<b>Chain Brake</b> .....	<b>14</b>		
Freno de la Cadena			
<b>Chain Brake</b> .....	<b>15</b>		
Freno de la Cadena			
<b>Handles</b> .....	<b>16</b>		
Mangos			
<b>Throttle Control</b> .....	<b>17</b>		
Control del Acelerador			



NO.	PART NUMBER	QTY.	DESCRIPTION	DESCRIPCIÓN
1	V141000090	1	COVER, DUST	CUBIERTA, ANTIPOLVO
2	A014000040	1	DECOMPRESSION ASY	CONJUNTO DE DESCOMPRESIÓN
3	V805000220	4	SCREW - 5×25	TORNILLO - 5×25
4	A130002041	1	CYLINDER	CILINDRO
5	V100000270	1	GASKET, CYLINDER	JUNTA, CILINDRO
6	<b>P021038790</b>	1	<b>PISTON KIT</b>	<b>KIT DE PISTÓN</b>
7	A101000210	1	+RING, PISTON	+ANILLO, PISTÓN
8	V609000010	1	+PIN, PISTON	+PASADOR, PISTÓN
9	V580000030	2	+RING, RETAINING - 1	+ANILLO, RETÉN - 1
10	V308000040	2	+WASHER, THRUST - 1	+ARANDELA, DE EMPUJE - 1
11	V556000000	1	+BEARING, NEEDLE	+COJINETE, DE AGUJAS
12	<b>P021043311</b>	1	<b>CRANKCASE KIT</b>	<b>KIT DE CÁRTER</b>
13	V508000010	2	+SEAL, OIL	+SELLO, ACEITE
14	90033050100	2	+PIN, DOWEL	+CLAVIJA
15	V205000401	2	+STUD, GUIDE BAR	+PRISIONERO, BARRA GUÍA
16	9403646202	2	+BEARING, BALL	+COJINETE DE BOLAS - 6202
17	V102000060	1	+GASKET, CRANKCASE	+JUNTA, CÁRTER
18	43723914730	1	+NIPPLE	+NIPLE
19	43611413930	1	+VALVE, CHECK	+VÁLVULA DE RETENCION
20	V805000010	2	SCREW - 5×20	TORNILLO - 5×20
21	V805000020	4	SCREW - 5×35 -- TAPPING	TORNILLO - 5×35 -- AUTOROSCANTE
22	V805000170	1	SCREW - 5×25	TORNILLO - 5×25
23	A011000540	1	CRANKSHAFT ASY	CONJUNTO DE CIGÜEÑAL

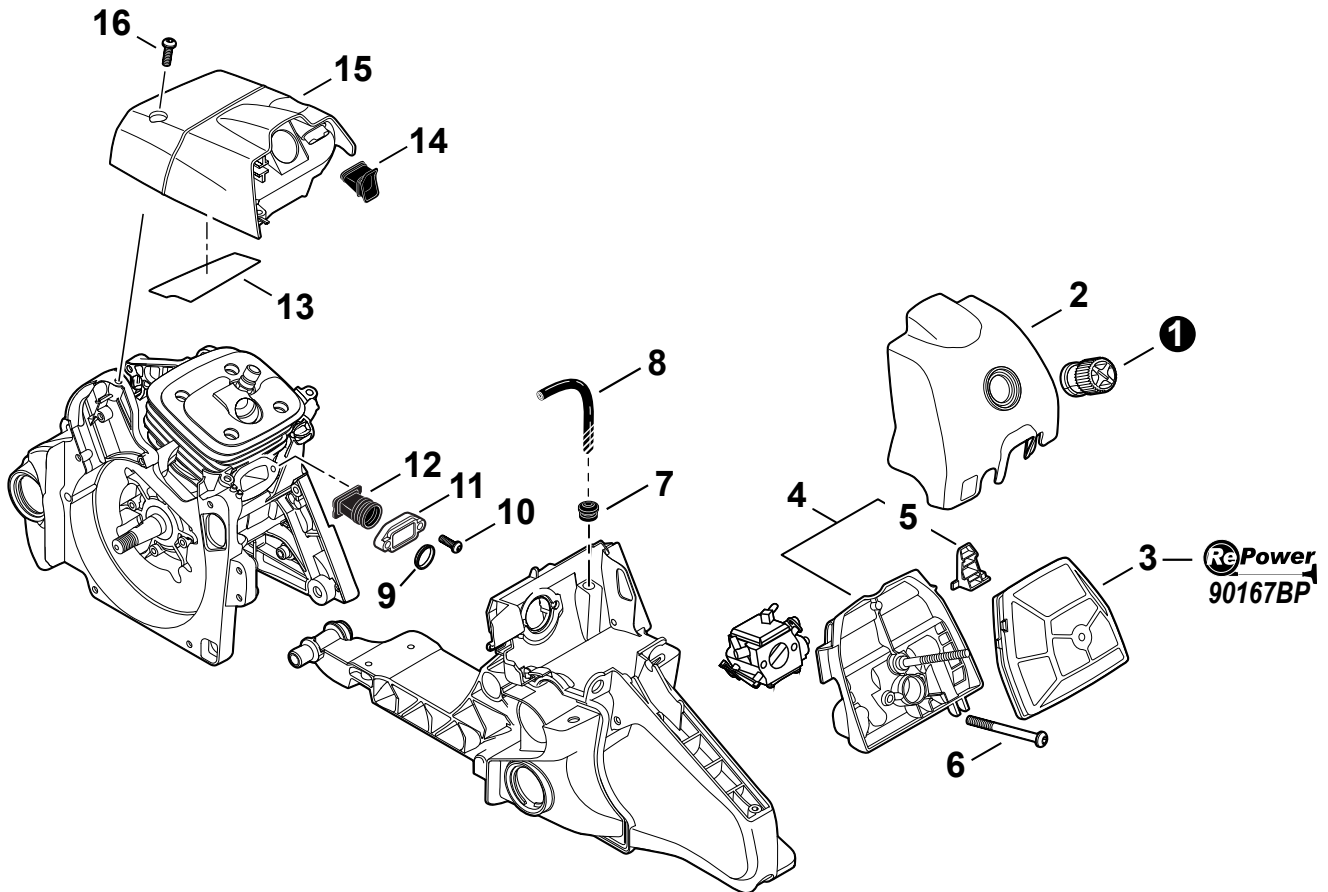


NO.	PART NUMBER	QTY.	DESCRIPTION	DESCRIPCIÓN
	<b>A021001661</b>	<b>1</b>	<b>CARBURETOR -- HDA-268A</b>	<b>CARBURADOR -- HDA-268A</b>
1	12313002960	4	+SCREW	+TORNILLO
2	12314217330	1	+COVER, DIAPHRAGM	+CUBIERTA, DIAFRAGMA
3	P003000010	2	+CAP, LIMITER	+TAPA, LIMITADOR
4	12311802261	1	+NEEDLE - LOW SPEED	+AGUJA - MEZCLA
5	12312032631	1	+NEEDLE - HIGH SPEED	+AGUJA - ALTA VELOCIDAD
6	12313404260	1	+SCREW, IDLE ADJUST	+TORNILLO, AJUSTE DE RALENTÍ
7	12313304260	1	+SPRING, IDLE ADJUST	+RESORTE, AJUSTE DEL MÍNIMO/RALENTÍ
8	12311403930	3	+SCREW	+TORNILLO
9	12315630830	1	+STOP, THROTTLE	+TOPE, ACELERADOR
10	P003002300	1	+LEVER, CHOKE	+PALANCA, AHOGADOR
11	12312715030	1	+RING, RETAINING	+ANILLO, RETÉN
12	12311616130	1	+VALVE, CHOKE	+VÁLVULA, ACELERADOR
13	12314610631	1	+PLUG, WELCH	+TAPÓN, WELCH
14	12312232630	1	+SPRING, METERING LEVER	+RESORTE, PALANCA DE DOSIFICACIÓN
15	12313903930	1	+SCREW, METERING LEVER PIN	+TORNILLO
16	-----	1	+BODY, CARBURETOR <sup>(1)</sup>	+CUERPO, CARBURADOR <sup>(1)</sup>
17	P003002380	1	+SCREW, THROTTLE VALVE	+TORNILLO, VÁLVULA DEL ACELERADOR
18	12313216130	1	+VALVE, THROTTLE	+VÁLVULA, ACELERADOR
19	P003000560	1	+SPRING, THROTTLE RETURN	+RESORTE, GATILLO
20	P003002280	1	+SHAFT, THROTTLE	+EJE, ACELERADOR
21	P003002290	1	+SHAFT, CHOKE	+EJE, AHOGADOR
22	12314926030	1	+WASHER	+ARANDELA
23	P003000620	1	+LEVER, FAST IDLE	+PALANCA, RALENTÍ RÁPIDO
24	P003000610	1	+SPRING, CHOKE RETURN	+RESORTE, RETORNO DEL AHOGADOR
25	12312419830	1	+COVER, PUMP	+CUBIERTA, BOMBA
26	12311016130	1	+SCREW	+TORNILLO
<b>27</b>	<b>P033000000</b>	<b>1</b>	<b>+REPAIR KIT</b>	<b>+KIT DE REPARACIÓN</b>
28	-----	1	++DIAPHRAGM, METERING	++DIAFRAGMA, DOSIFICACIÓN
29	-----	1	++GASKET, METERING	++JUNTA, DOSIFICACIÓN
30	-----	1	++LEVER, METERING	++PALANCA, DOSIFICACIÓN
31	-----	1	++PIN, METERING LEVER	++PASADOR, PALANCA DE DOSIFICACIÓN
32	-----	1	++VALVE, INLET NEEDLE	++VÁLVULA DE AGUJA, ADMISIÓN
33	-----	1	++STRAINER	++TAMIZ
34	-----	1	++DIAPHRAGM, PUMP	++DIAFRAGMA, BOMBA
35	-----	1	++GASKET, PUMP	++JUNTA, BOMBA

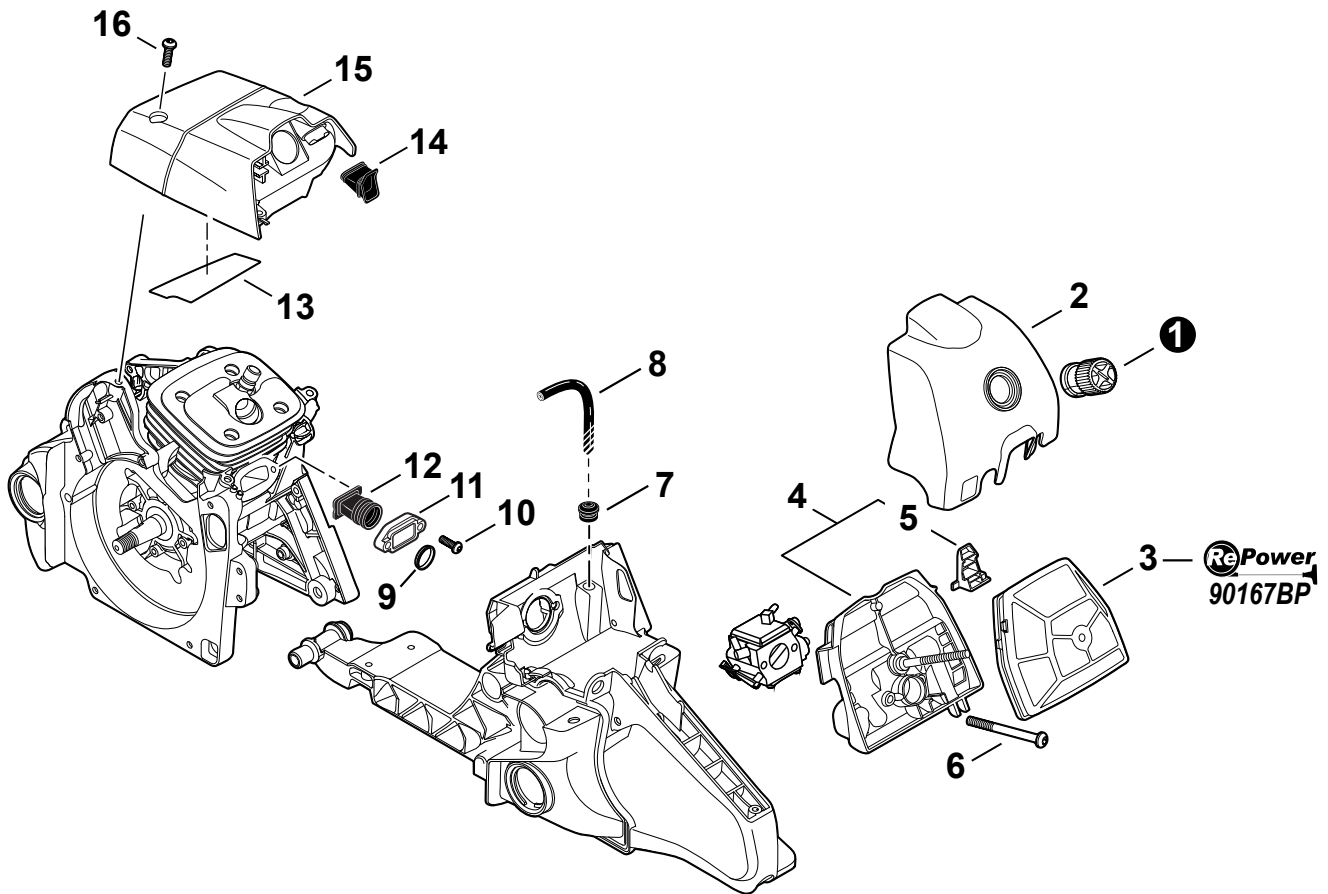
(FOOTNOTE) 1 - NOT AVAILABLE SEPARATELY

(NOTA DEL PIE) 1 - NO DISPONIBLE POR SEPARADO

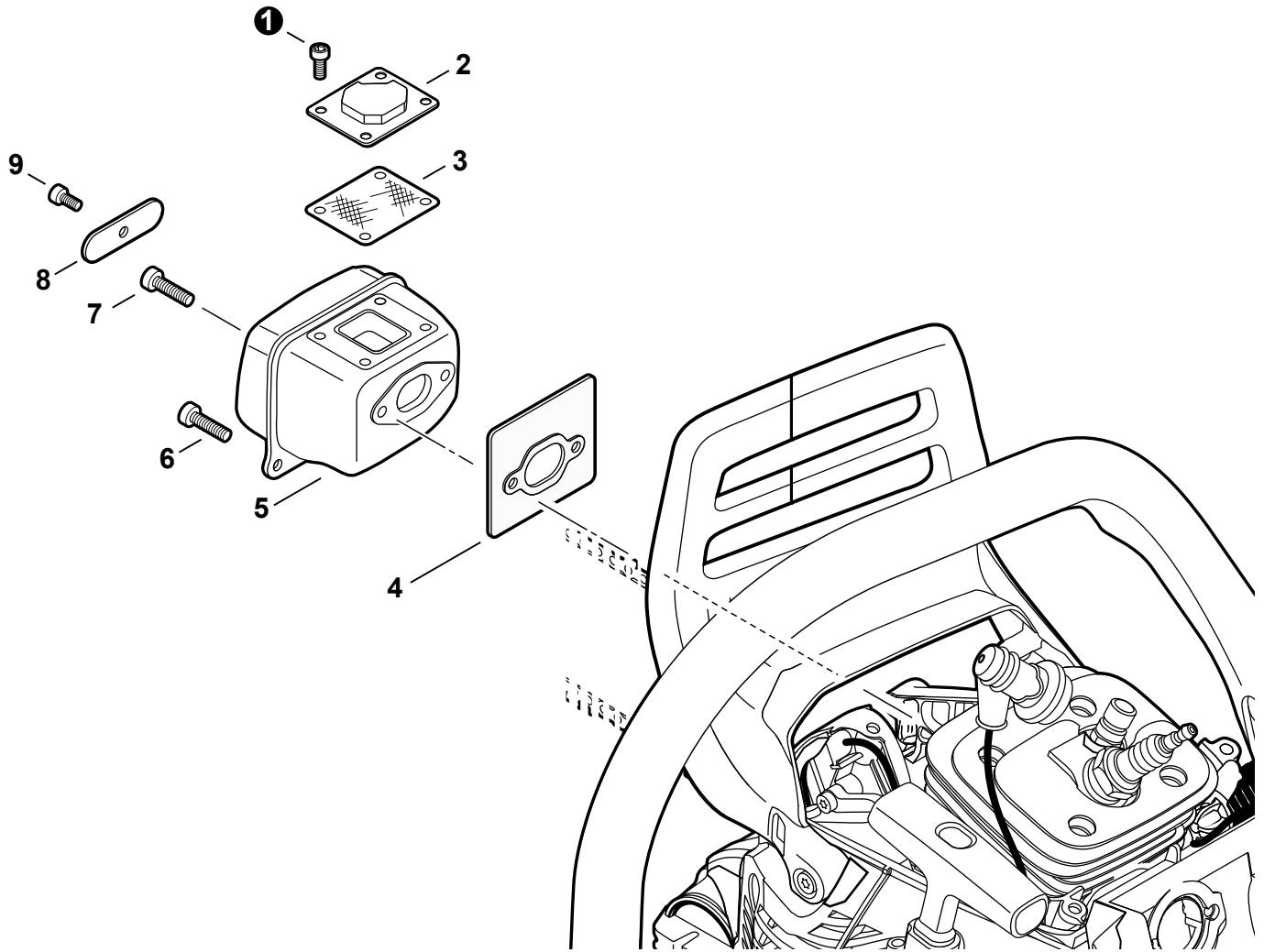
C25812001001 - C25812015100



NO.	PART NUMBER	QTY.	DESCRIPTION	DESCRIPCIÓN
1	A235000200	1	KNOB, AIR CLEANER	PERILLA, CUBIERTA DEL FILTRO DE AIRE
2	A232000472	1	COVER, AIR CLEANER	CUBIERTA, FILTRO DE AIRE
3	P021016370	1	FILTER, AIR	FILTRO DE AIRE
4	<b>P021016021</b>	<b>1</b>	<b>AIR CLEANER CASE KIT</b>	<b>CONJUNTO DE CARCASA DEL FILTRO DE AIRE</b>
5	A219000000	1	+SHUTTER, AIR	+OBTURADOR, AIRE
6	V805000030	2	SCREW, TAPPING - 5×50	TORNILLO - 5×50
7	13211501461	1	GROMMET	ANILLO DE GOMA
8	13011030830	1	PIPE, IMPULSE	TUBO, DE IMPULSO
9	V360000060	1	COLLAR	ESPACIADOR
10	V805000000	2	SCREW - 5×16	TORNILLO - 5×16
11	A206000010	1	ADAPTER	ADAPTADOR
12	A202000081	1	BELLOWS	FUELLE
13	V341000140	1	DEFLECTOR, HEAT	DEFLECTOR, CALOR
14	A239000070	1	DUCT, INTAKE	DUCTO, ADMISIÓN
15	A160001081	1	COVER, ENGINE	CUBIERTA, MOTOR
16	V805000000	3	SCREW - 5×16	TORNILLO - 5×16

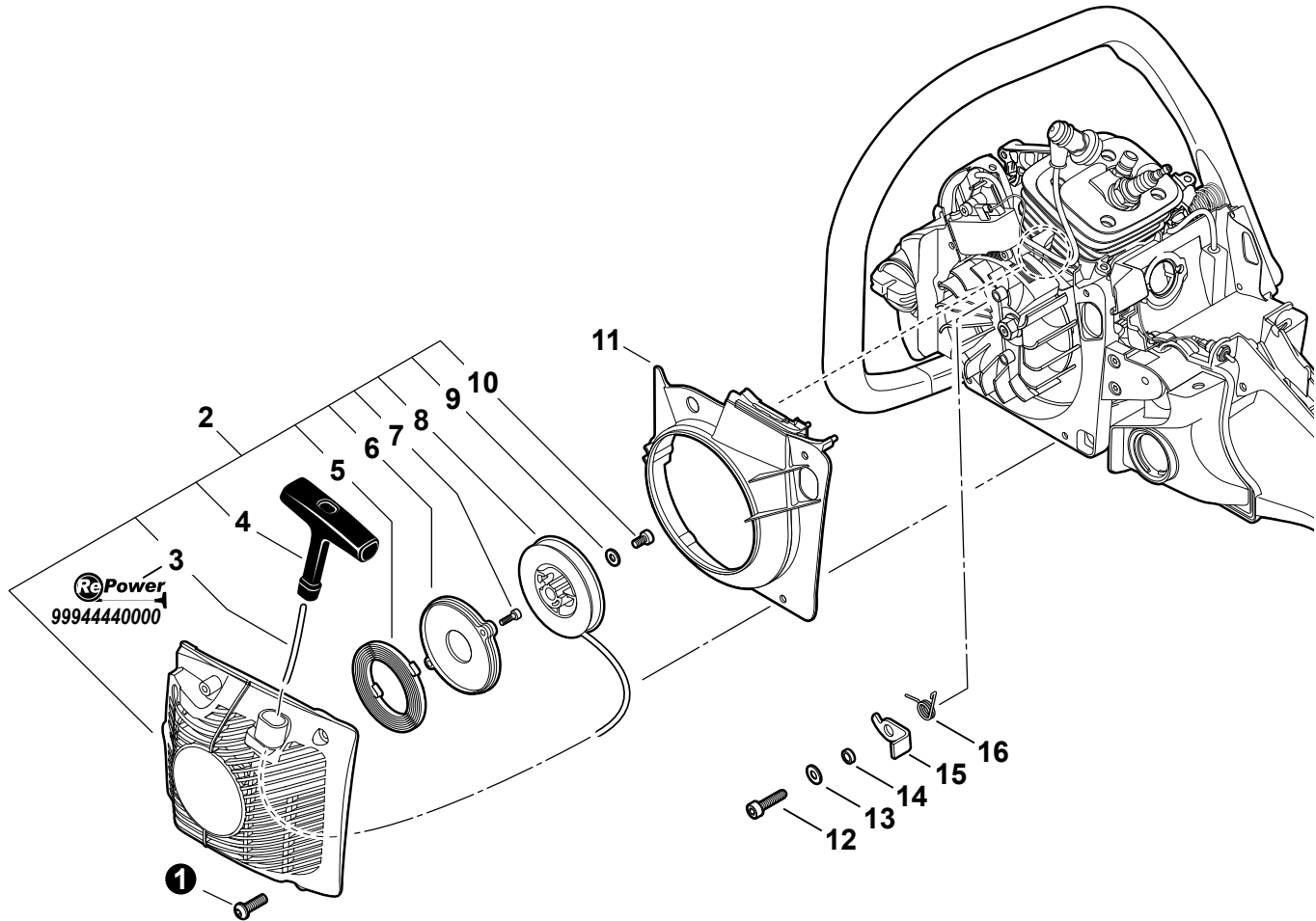


NO.	PART NUMBER	QTY.	DESCRIPTION	DESCRIPCIÓN
1	A235000200	1	KNOB, AIR CLEANER	PERILLA, CUBIERTA DEL FILTRO DE AIRE
2	A232000472	1	COVER, AIR CLEANER	CUBIERTA, FILTRO DE AIRE
3	P021016371	1	FILTER, AIR	FILTRO DE AIRE
4	<b>P021016022</b>	1	<b>AIR CLEANER CASE KIT</b>	<b>CONJUNTO DE CARCASA DEL FILTRO DE AIRE</b>
5	A219000000	1	+SHUTTER, AIR	+OBTURADOR, AIRE
6	V805000080	2	SCREW, TAPPING - 5×50	TORNILLO - 5×50
7	13211501461	1	GROMMET	ANILLO DE GOMA
8	13011030830	1	PIPE, IMPULSE	TUBO, DE IMPULSO
9	V360000060	1	COLLAR	ESPACIADOR
10	V805000000	2	SCREW - 5×16	TORNILLO - 5×16
11	A206000010	1	ADAPTER	ADAPTADOR
12	A202000081	1	BELLOWS	FUELLE
13	V341000140	1	DEFLECTOR, HEAT	DEFLECTOR, CALOR
14	A239000070	1	DUCT, INTAKE	DUCTO, ADMISIÓN
15	A160001081	1	COVER, ENGINE	CUBIERTA, MOTOR
16	V805000000	3	SCREW - 5×16	TORNILLO - 5×16



NO.	PART NUMBER	QTY.	DESCRIPTION	DESCRIPCIÓN
1	V804000030	4	SCREW - 4×8	TORNILLO - 4×8
2	A031000020	1	GUIDE, EXHAUST	GUÍA, ESCAPE - EXTERIOR
3	A310000100	1	SCREEN, SPARK ARRESTER	PANTALLA, SUPRESOR DE CHISPAS
4	V104002150	1	GASKET, EXHAUST	JUNTA, ESCAPE
5	A300001570	1	MUFFLER	SILENCIADOR
6	V855000000	2	SCREW - 5×20	TORNILLO - 5×20
7	V805000210	2	SCREW - 5×20	TORNILLO - 5×20
8	A301000030	1	PLATE	PLACA
9	V804000030	1	SCREW - 4×8	TORNILLO - 4×8

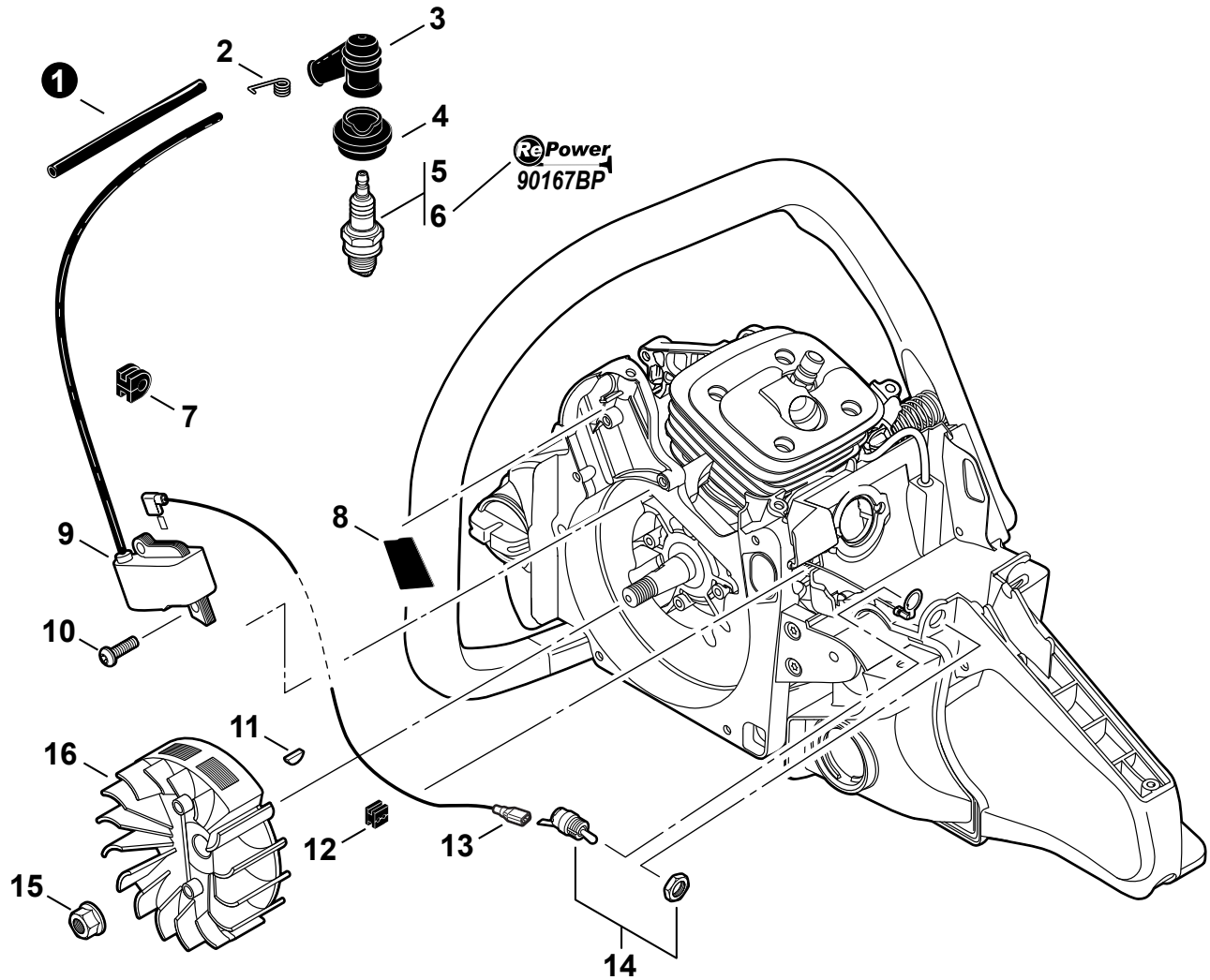




NO.	PART NUMBER	QTY.	DESCRIPTION	DESCRIPCIÓN
1	V805000010	4	SCREW - 5×20	TORNILLO - 5×20
2	<b>P021041831</b>	1	<b>STARTER ASY</b>	<b>CONJUNTO DE ARRANCADOR</b>
3	A509000460	1	+ROPE, STARTER - 4×950 <sup>(1)</sup>	+CUERDA, ARRANCADOR - 4×950 <sup>(1)</sup>
4	A511000072	1	+GRIP, STARTER	+AGARRE, ARRANCADOR
5	17722035430	1	+SPRING, REWIND	+RESORTE, REBOBINADO
6	A503000032	1	+PLATE, STARTER	+PLACA, ARRANCADOR
7	V804000000	2	+SCREW - 4×12	+TORNILLO - 4×12
8	A506000112	1	+REEL, ROPE	+CARRETE, CUERDA
9	17721402830	1	+WASHER	+ARANDELA
10	V805000130	1	+SCREW - 5×10	+TORNILLO - 5×10
11	A172000842	1	COVER, FAN	CUBIERTA, VENTILADOR
12	V835000000	2	SCREW - 5×16	TORNILLO - 5×16
13	90060300005	2	WASHER - 5.5×12	ARANDELA - 5
14	17724704630	2	SPACER	ESPACIADOR
15	17721819830	2	PAWL, STARTER	TRINQUETE, ARRANCADOR
16	17723435430	2	SPRING, RETURN	RESORTE, RETORNO

(FOOTNOTE) 1 - See RePower Maintenance Page

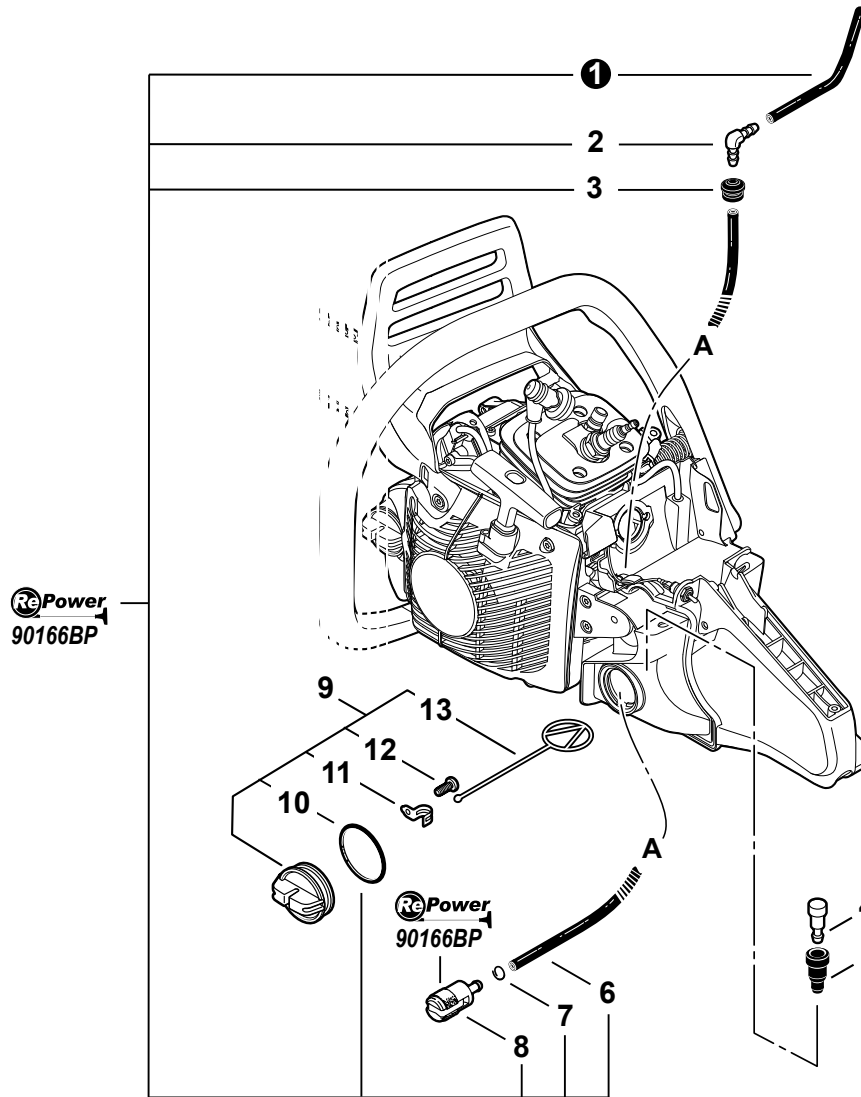
(NOTA DEL PIE) 1 - Vea RePower de mantenimiento página



NO.	PART NUMBER	QTY.	DESCRIPTION	DESCRIPCIÓN
1	V475004130	1	COVER	CUBIERTA
2	A426000010	1	TERMINAL, SPARK PLUG CAP	TERMINAL, CAPUCHÓN DE BUJÍA
3	A427000013	1	CAP, SPARK PLUG	TAPA, BUJÍA
4	A429000040	1	SEAL, SPARK PLUG	SELLO, BUJÍA
5	15901019830	1	SPARK PLUG -- BPM-8Y	BUJÍA -- BPM-8Y
6	A425000000	1	SPARK PLUG -- BPMR-8Y CANADA <sup>(1)</sup>	BUJÍA -- BPMR-8Y CANADÁ <sup>(1)</sup>
7	15611004920	1	GROMMET	ANILLO DE GOMA
8	V376001780	1	CUSHION	COJÍN
9	A411001340	1	COIL, IGNITION	COIL, IGNITION
10	V805000000	2	SCREW - 5×16	TORNILLO - 5×16
11	10014230830	1	KEY, WOODRUFF	CHAVETA, WOODRUFF
12	15011404920	1	GROMMET	ANILLO DE GOMA
13	V485001091	1	LEAD - IGNITION	CABLE - IGNICIÓN
14	A440001190	1	IGNITION SWITCH KIT	KIT DE INTERRUPTOR DEL ENCENDIDO
15	90051500008	1	NUT - 8 -- FLANGE	TUERCA, DE BRIDA - 8
16	A409000360	1	FLYWHEEL	VOLANTE

(FOOTNOTE) 1 - See RePower Maintenance Page

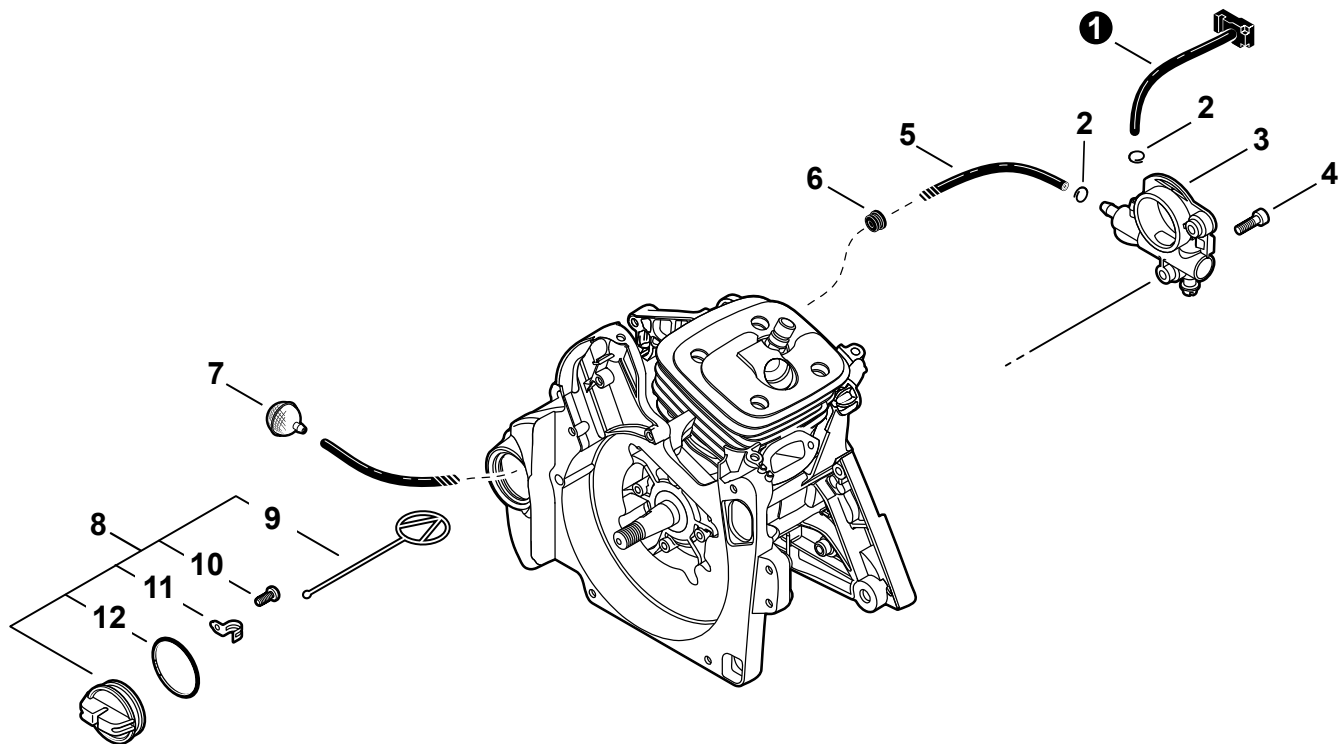
(NOTA DEL PIE) 1 - Vea RePower de mantenimiento página



NO.	PART NUMBER	QTY.	DESCRIPTION	DESCRIPCIÓN
1	V471003860	1	PIPE - 3×6×135 -- BLACK <sup>(1)</sup>	TUBO - 3×6×135 -- NEGRO <sup>(1)</sup>
2	V186000500	1	CONNECTOR, FUEL PIPE <sup>(1)</sup>	CONECTOR, TUBO <sup>(1)</sup>
3	13211501461	1	GROMMET <sup>(1)</sup>	ANILLO DE GOMA <sup>(1)</sup>
4	13130056431	1	VENT, FUEL TANK	CONJUNTO DE RESPIRADERO
5	A359000000	1	COVER, VENT	TAPA DE VENTILADOR
6	V471000600	1	PIPE - 3×5×120 -- BLACK <sup>(1)</sup>	TUBO - 3×5×120 -- NEGRO <sup>(1)</sup>
7	V490001240	1	CLIP - 6 <sup>(1)</sup>	GANCHO - 6 <sup>(1)</sup>
8	13120519831	1	FILTER, FUEL <sup>(1)</sup>	FILTRO DE COMBUSTIBLE <sup>(1)</sup>
9	<b>P021037420</b>	1	<b>CAP ASY</b>	<b>CONJUNTO DE TAPA</b>
10	V581000600	1	+O-RING <sup>(1)</sup>	+ANILLO O <sup>(1)</sup>
11	13105019830	1	+RETAINER, CONNECTOR	+RETENEDOR, CONECTOR
12	90024603008	1	+SCREW - 3×8	+TORNILLO - 3×8
13	13105119830	1	+CONNECTOR, CAP	+CONECTOR, TAPA

(FOOTNOTE) 1 - See RePower Maintenance Page

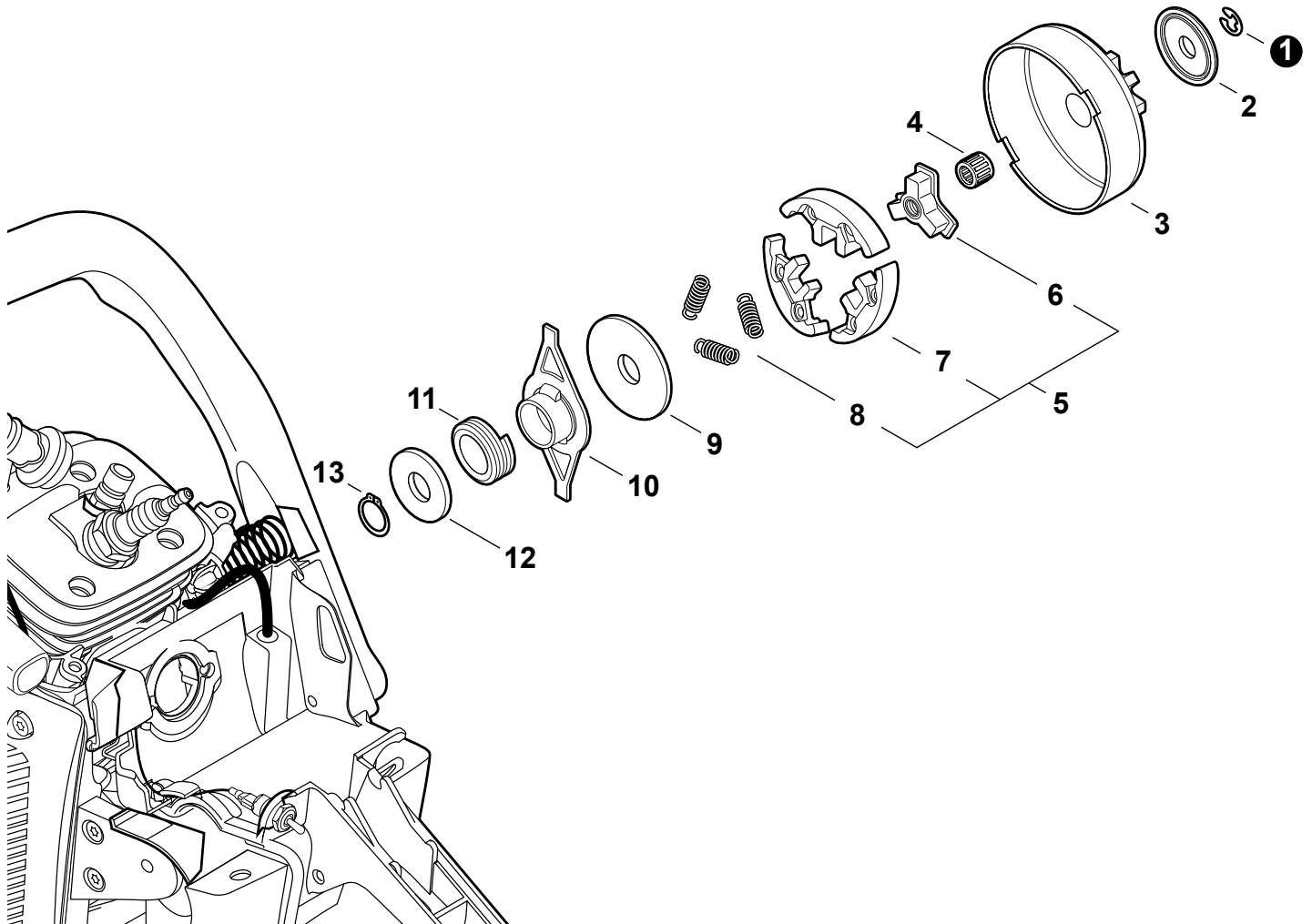
(NOTA DEL PIE) 1 - Vea RePower de mantenimiento página



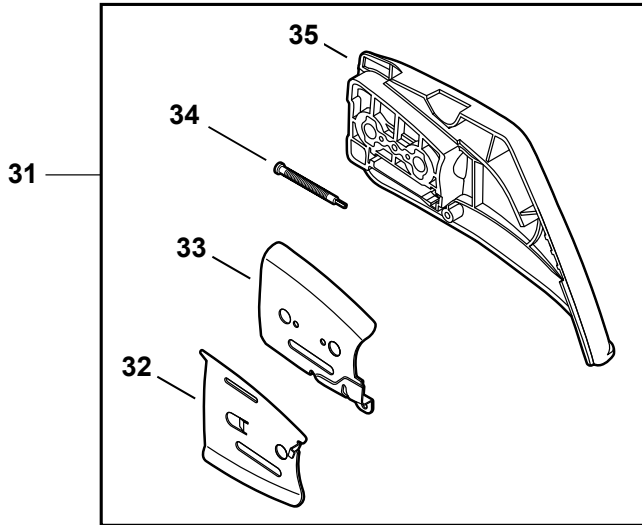
NO.	PART NUMBER	QTY.	DESCRIPTION	DESCRIPCIÓN
1	V470000830	1	PIPE, OIL	TUBO, ACEITE
2	V490001240	2	CLIP - 6	GANCHO - 6
3	C022000052	1	AUTO-OILER ASY	CONJUNTO DE BOMBA DE ACEITE
4	V804000000	2	SCREW - 4×12	TORNILLO - 4×12
5	43721030830	1	PIPE - 3×6×210 -- BLACK <sup>(1)</sup>	TUBO - 3×6×210 -- NEGRO <sup>(1)</sup>
6	13211501461	1	GROMMET	ANILLO DE GOMA
7	43620514730	1	FILTER, OIL	FILTRO DE ACEITE
8	<b>P021016031</b>	1	<b>CAP ASY</b>	<b>CONJUNTO DE TAPA</b>
9	13105119830	1	+CONNECTOR, CAP	+CONECTOR, TAPA
10	90024603008	1	+SCREW - 3×8	+TORNILLO - 3×8
11	13105019830	1	+RETAINER, CONNECTOR	+RETENEDOR, CONECTOR
12	90072000028	1	+O-RING - 28	+ANILLO O - 28

(FOOTNOTE) 1 - See RePower Maintenance Page

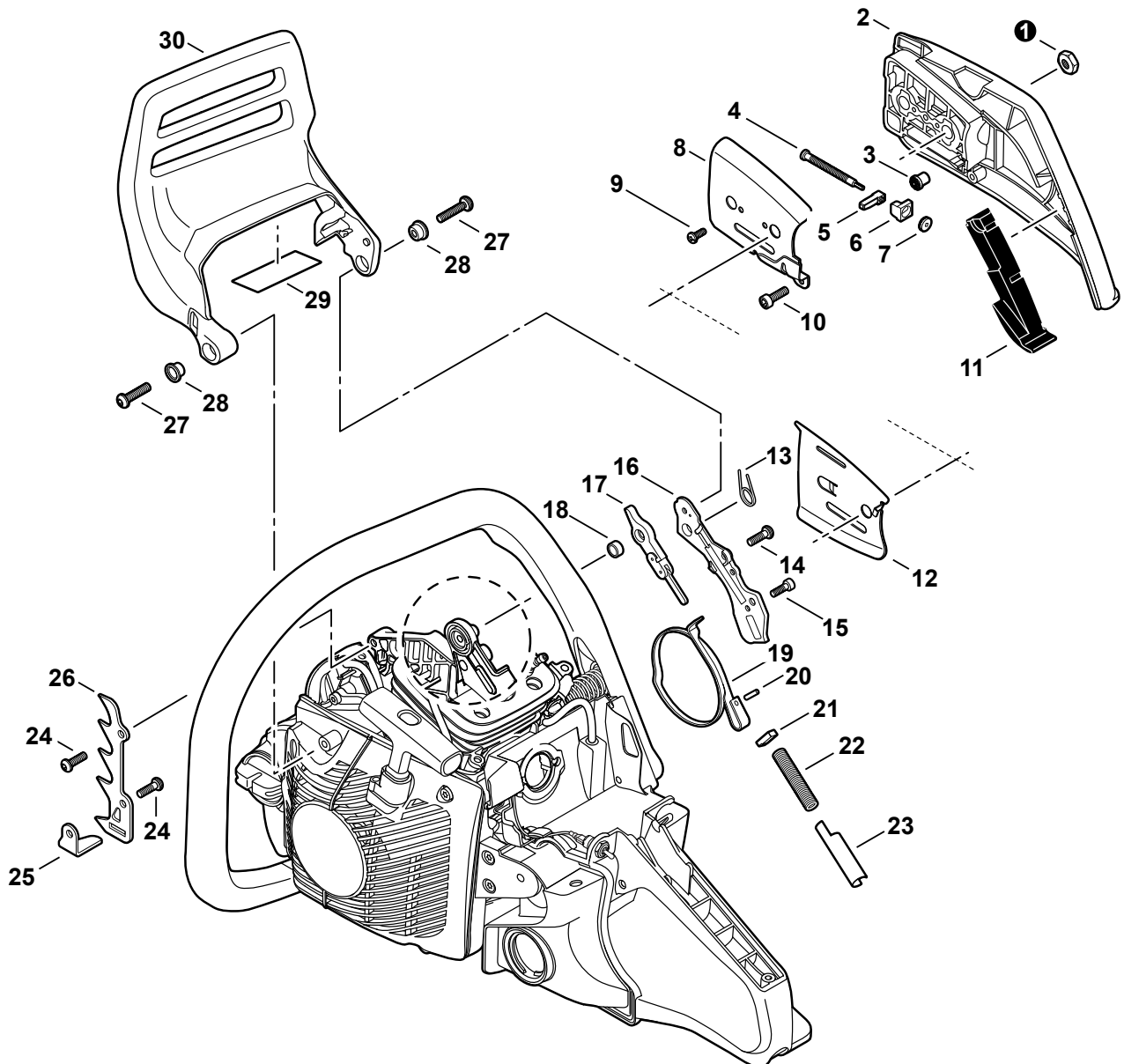
(NOTA DEL PIE) 1 - Vea RePower de mantenimiento página



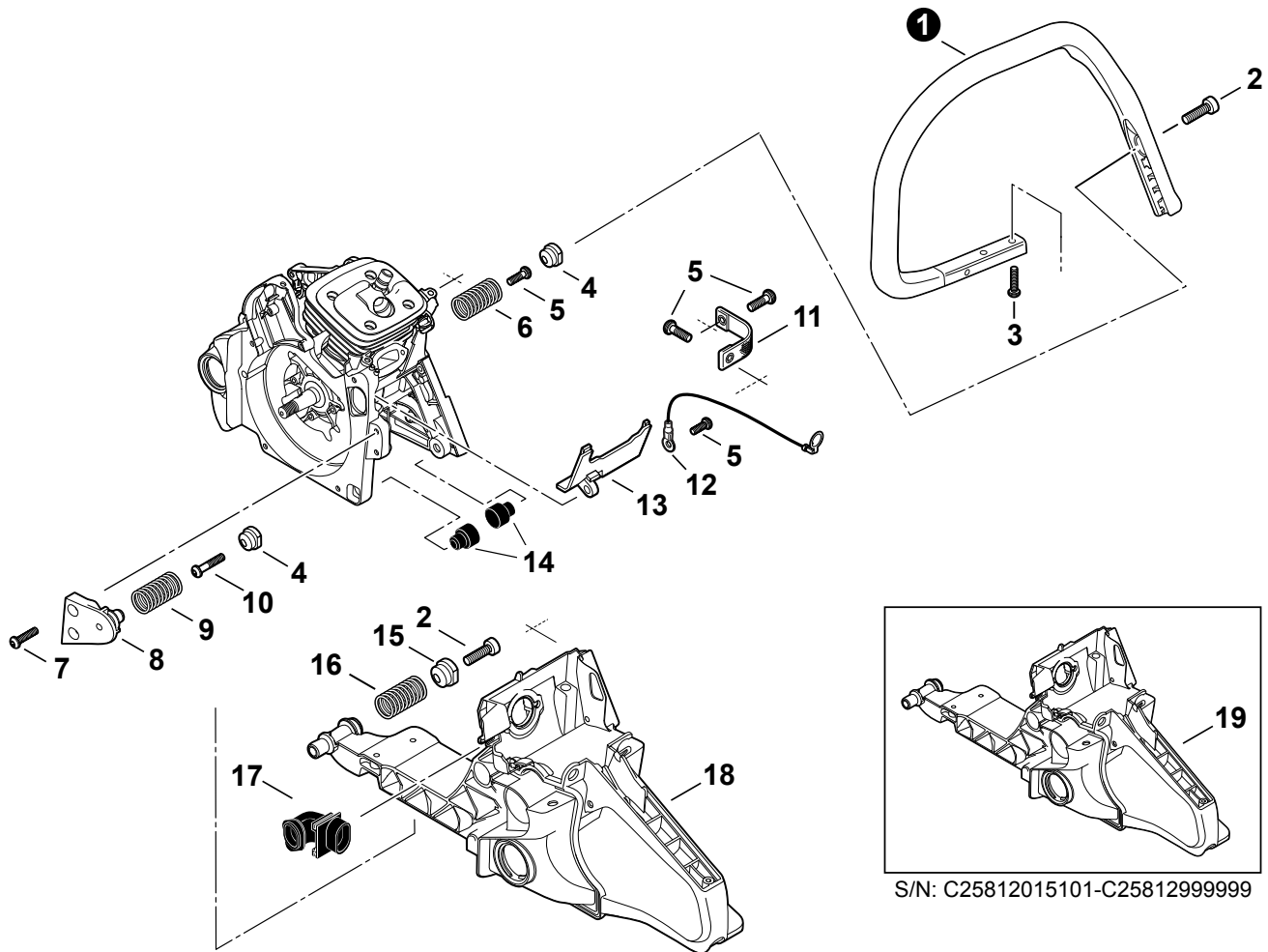
NO.	PART NUMBER	QTY.	DESCRIPTION	DESCRIPCIÓN
1	V583000440	1	RING, RETAINING - 8	ANILLO, RETÉN - 8
2	V307000510	1	WASHER - 10	ARANDELA - 10
3	A556001580	1	DRUM, CLUTCH	TAMBOR, EMBRAGUE
4	V555000010	1	BEARING, NEEDLE - 10	COJINETE, DE AGUJAS
5	<b>A056000220</b>	1	<b>CLUTCH ASY</b>	<b>CONJUNTO DE EMBRAGUE</b>
6	A552000110	1	+HUB, CLUTCH	+CUBO, EMBRAGUE
7	P021007050	1	+CLUTCH SHOE SET	+JUEGO DE ZAPATAS DE EMBRAGUE
8	V451000500	3	+SPRING, CLUTCH	+RESORTE, EMBRAGUE
9	A551000110	1	PLATE, CLUTCH	PLACA, EMBRAGUE
10	V358000090	1	COLLAR - 14	COLLAR - 14
11	V652000050	1	GEAR, WORM	ENGRANAJE, TORNILLO SIN FIN
12	V311000090	1	WASHER - 15	ARANDELA - 15
13	90070100015	1	RING, RETAINING - 15	ANILLO, RETÉN - 15



S/N: C25812015601-C25812999999

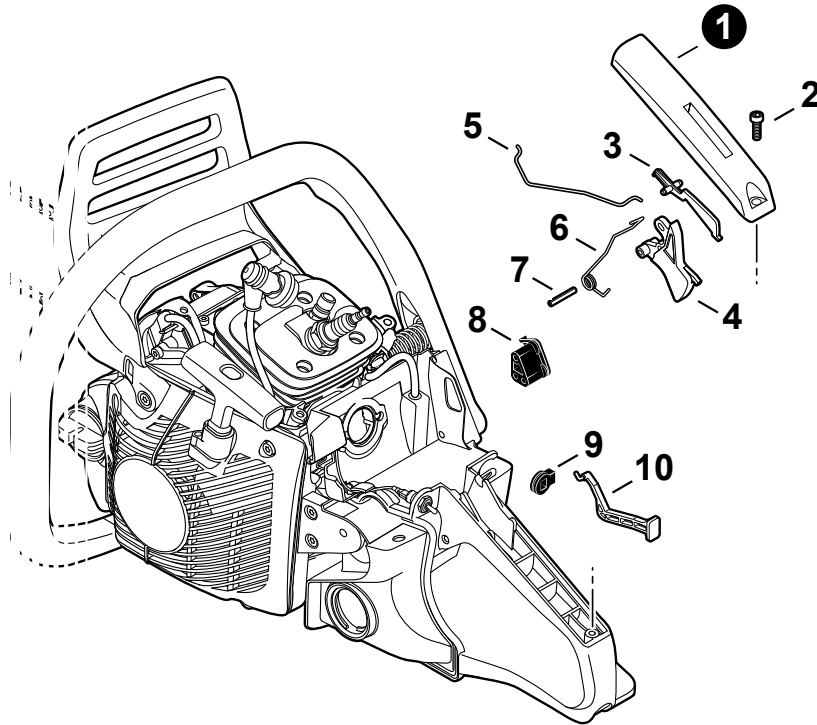


NO.	PART NUMBER	QTY.	DESCRIPTION	DESCRIPCIÓN
1	V265000200	2	NUT - 8	TUERCA - BRIDA
2	C300000412	1	GUARD, SPROCKET	CUBIERTA DEL PIÑÓN
3	V651000001	1	GEAR, PINION	ENGRANAJE, CÓNICO
4	V203000110	1	SCREW, TENSIONER	PERNO
5	C309000070	1	TENSIONER, CHAIN	SENSOR, CADENA
6	V355000270	1	COLLAR - 8	ESPACIADOR - 8
7	V651000011	1	GEAR, BEVEL	ENGRANAJE, CÓNICO
8	C305000100	1	PLATE, GUIDE - OUTER	PLACA, GUÍA - EXTERIOR
9	90024103006	1	SCREW - 3×6	TORNILLO - 3×6
10	V804000000	1	SCREW - 4×12	TORNILLO - 4×12
11	C302000090	1	CUSHION	COJÍN
12	C305000110	1	PLATE, GUIDE - INNER	PLACA, GUÍA - INTERIOR
13	V452000400	1	SPRING	RESORTE
14	V805000000	3	SCREW - 5×16	TORNILLO - 5×16
15	V804000000	1	SCREW - 4×12	TORNILLO - 4×12
16	C345000283	1	COVER, BRAKE	CUBIERTA, FRENO
17	C334000110	1	CONNECTOR, BRAKE	CONECTOR, FRENO
18	V356000470	1	SPACER	ESPACIADOR
19	C328000121	1	BAND, BRAKE	BANDA DE FRENO
20	93050300098	1	PIN, SPRING	RODILLO
21	V376000450	1	GUIDE	GUÍA
22	V450000740	1	SPRING	RESORTE
23	C603000220	1	GUIDE, SPRING	GUÍA, RESORTE
24	V805000000	2	SCREW - 5×16	TORNILLO - 5×16
25	C310000010	1	CATCHER, CHAIN	ATRAPACADENA
26	C304000280	1	BUMPER, SPIKED	PARAGOLPES DE DIENTES
27	V805000000	2	SCREW - 5×16	TORNILLO - 5×16
28	V356000440	2	COLLAR	ESPACIADOR
29	V341000131	1	DEFLECTOR, HEAT	DEFLECTOR, CALOR
30	C320000182	1	LEVER, BRAKE	PALANCA, FRENO
<b>31</b>	<b>P021045470</b>	<b>1</b>	<b>SPROCKET GUARD KIT</b>	<b>JUEGO DE CUBIERTA DEL PIÑÓN</b>
32	C305000111	1	+PLATE, GUIDE - INNER	+PLACA, GUÍA - INTERIOR
33	C305000101	1	+PLATE, GUIDE - OUTER	+PLACA, GUÍA - EXTERIOR
34	V203002140	1	+SCREW, TENSIONER	+PERNO
35	C300000413	1	+GUARD, SPROCKET	+CUBIERTA DEL PIÑÓN

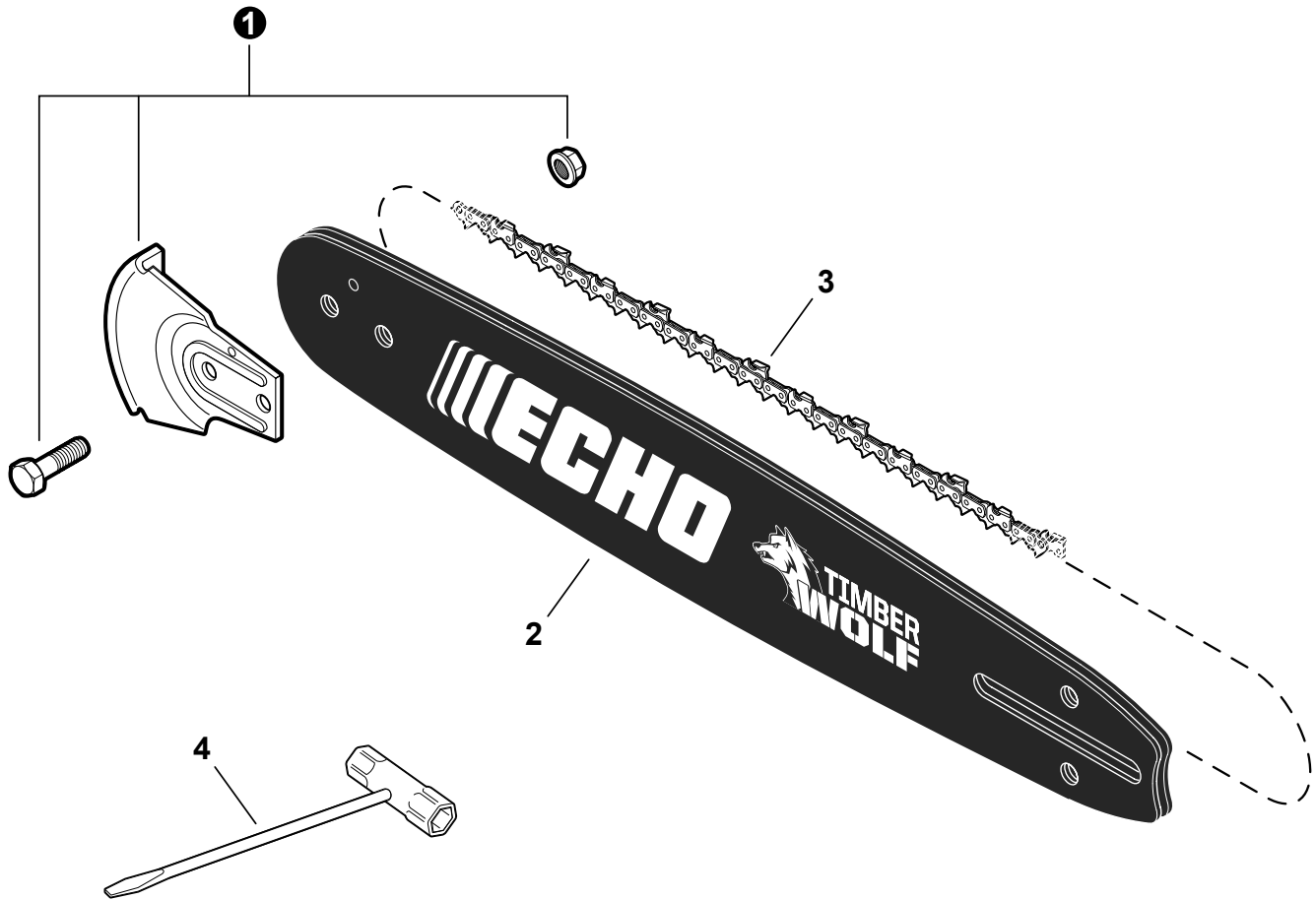


NO.	PART NUMBER	QTY.	DESCRIPTION	DESCRIPCIÓN
1	C400000550	1	HANDLE - FRONT	MANGO - DELANTERO
2	V806000000	2	SCREW - 6×20	TORNILLO - 6×20
3	V805000010	4	SCREW - 5×20	TORNILLO - 5×20
4	V456000080	2	HOLDER, SPRING	SOPORTE, RESORTE
5	V805000000	4	SCREW - 5×16	TORNILLO - 5×16
6	V450000730	1	SPRING	RESORTE
7	V805000010	2	SCREW - 5×20	TORNILLO - 5×20
8	V456000090	1	HOLDER, SPRING	SOPORTE, RESORTE
9	V450000760	1	SPRING	RESORTE
10	V805000230	1	SCREW - 5×25	TORNILLO - 5×25
11	C617000362	1	STRAP, SAFETY	CORREA, DE SEGURIDAD
12	V485001101	1	LEAD - GROUND	CABLE - DE TIERRA
13	E106000020	1	GUIDE, AIR	GUÍA, AIRE
14	V420003800	2	CUSHION	COJÍN
15	V456000101	1	HOLDER, SPRING	SOPORTE, RESORTE
16	V450000770	1	SPRING	RESORTE
17	A239000060	1	DUCT, AIR INTAKE	DUCTO, ADMISIÓN DE AIRE
18	C410001251	1	HANDLE - REAR	MANGO - TRASERO
19	C410001252	1	HANDLE - REAR	MANGO - TRASERO





NO.	PART NUMBER	QTY.	DESCRIPTION	DESCRIPCIÓN
1	C411000001	1	COVER, HANDLE	CUBIERTA, MANGO
2	V804000000	1	SCREW - 4×12	TORNILLO - 4×12
3	17809037930	1	LEVER, THROTTLE LOCKOUT	PALANCA, BLOQUEO
4	C450000360	1	TRIGGER, THROTTLE	GATILLO, ACELERADOR
5	C454000170	1	ROD, THROTTLE	VARILLA, ACELERADOR
6	V452000260	1	SPRING, TRIGGER	RESORTE, GATILLO
7	90034540025	1	PIN, SPRING - 4×25	PASADOR, DE RESORTE - 4×25
8	V131000020	1	GROMMET, NEEDLE	ANILLO DE GOMA, AGUJA
9	V130000030	1	GROMMET, CHOKE	ANILLO DE GOMA, AHOGADOR
10	A241000170	1	ROD, CHOKE	VARILLA, AHOGADOR



NO.	PART NUMBER	QTY.	DESCRIPTION	DESCRIPCIÓN
1	2893201	1	KICK GUARD KIT	KIT DE PROTECTOR, PATADA
2	18D0AS3864	1	GUIDE BAR - 18" (45cm)	BARRA GUÍA - 18" (45cm)
3	72LPX64CQ	1	SAW CHAIN - 18" (45cm)	CADENA DE SIERRA - 18" (45cm) -- SUPER 70
2	20D0AS3870	1	GUIDE BAR - 20" (50cm)	BARRA GUÍA - 20" (50cm)
3	72LPX70CQ	1	SAW CHAIN - 20" (50cm)	CADENA DE SIERRA - 20" (50cm) -- SUPER 70
4	X602000080	1	T-WRENCH - 13×19mm	LLAVE DE CUBO/DESTORNILADOR - 13×19mm



**TO AVOID KICKBACK**  
1. Contact of the guide bar tip with any object should be avoided.  
2. Tip contact may cause the guide bar to move suddenly upward and backward which may cause serious injury.  
3. Always use two hands when operating chain saw.

**REPLACEMENT BAR AND CHAIN**

GUIDE BAR*	CHAIN**
PART NO.	PART NO.
18" 18DOAS3864	72LPX64CQ
20" 20DOAS3870	72LPX70CQ
*Or equivalent	

Note: There may be other replacement components for achieving kickback protection. For details, please refer to the chain and bar combination sheet shown in the instruction manual.

**WARNING!** Read and follow all safety precautions in the instruction manual. Failure to follow instructions could result in serious personal injury.

NO.	PART NUMBER	QTY.	DESCRIPTION	DESCRIPCIÓN
1	X503012200	1	LABEL - MODELO - CS-590	ETIQUETA - MODELO - CS-590
2	X505000450	1	LABEL - KICKBACK	ETIQUETA - PRECAUCIÓN -- CONTRAGOLPE
3	X502000340	1	LABEL - ECHO	ETIQUETA - ECHO
4	X524004630	1	LABEL - BAR & CHAIN	ETIQUETA 0 BARRA Y CADENA
5	89015737330	1	LABEL - STOP	ETIQUETA - PARADA
6	X502000460	1	LABEL - ECHO	ETIQUETA - ECHO

NO.	PART NUMBER	QTY.	DESCRIPTION	DESCRIPCIÓN
	<b>90166BP</b>	<b>1</b>	<b>REPOWER FUEL SYSTEM KIT</b>	<b>KIT DE D'INSTALLATION CARBURANT DE REPOWER</b>
	V490001240	1	+CLIP - 6	+GANCHO - 6
	V186000500	1	+CONNECTOR, FUEL PIPE	+CONECTOR, TUBO
	13120519831	1	+FILTER, FUEL	+FILTRO DE COMBUSTIBLE
	13211501461	1	+GROMMET	+ANILLO DE GOMA
	V581000600	1	+O-RING	+ANILLO O
	V471000600	1	+PIPE - 3×5×120 -- BLACK	+TUBO - 3×5×120 -- NEGRO
	V471003860	1	+PIPE - 3×6×135 -- BLACK	+TUBO - 3×6×135 -- NEGRO
	<b>90167BP</b>	<b>1</b>	<b>REPOWER TUNE-UP KIT</b>	<b>KIT DEL AJUSTE DE LA REPOWER</b>
	P021016371	1	+FILTER, AIR	+FILTRO DE AIRE
	13120519831	1	+FILTER, FUEL	+FILTRO DE COMBUSTIBLE
	A425000000	1	+SPARK PLUG -- BPMR-8Y	+BUJÍA -- BPMR-8Y
	<b>99944450000</b>	<b>1</b>	<b>REPOWER BULK STARTER ROPE - 200 FEET</b>	<b>CUERDA, ARRANCADOR</b>
	<b>90014</b>	<b>1</b>	<b>PIPE - REPOWER BULK 3×5mm BLACK</b>	<b>TUBO REPOWER AL POR MAYOR 3×5mm NEGRO</b>
	<b>90015</b>	<b>1</b>	<b>PIPE - REPOWER BULK 3×6mm BLACK</b>	<b>TUBO REPOWER AL POR MAYOR 3×6mm NEGRO</b>