



Accessories for ECHO products can be found at:
 Los accesorios para los productos ECHO se pueden encontrar en:
<http://www.echo-usa.com/Products/Accessories>

OPTIONAL ACCESSORIES & ATTACHMENTS:

4 Ft. Extension99946400023

GUIDE BARS AND CHAINS:

10" Guide Bar - (0.050" Ga).....10A0CD3739C

10" Saw Chain - (0.050" Ga)91VXL39CQ

10" Guide Bar - (0.043" Ga).....10A4CD3739C

10" Saw Chain - (0.043" Ga).....90PX39CQ

12" Guide Bar - (0.050" Ga)12A0CD3744C

12" Saw Chain - (0.050" Ga)91VXL44CQ

12" Guide Bar - (0.043" Ga).....12A4CD3744C

12" Saw Chain - (0.043" Ga).....90PX44CQ

ACCESORIOS OPCIONALES:

122cm Extensión99946400023

BARRAS DE GUÍA Y CADENAS:

Barra de guía - 25cm (0.050" galga) ..10A0CD3739C

Cadena - 25cm (0.050" galga)91VXL39CQ

Barra de guía - 25cm (0.043" galga) ..10A4CD3739C

Cadena - 25cm (0.043" galga)90PX39CQ

Barra de guía - 30cm (0.050" galga) .12A0CD3744C

Cadena - 30cm (0.050" galga)91VXL44CQ

Barra de guía - 30cm (0.043" galga) ..12A4CD3744C

Cadena - 30cm (0.043" galga)90PX44CQ

ECHO, INCORPORATED

400 Oakwood Road, Lake Zurich, Illinois 60047

WWW.ECHO-USA.COM

©2018 ECHO, Incorporated. All Rights Reserved

PARTS CATALOG
LISTA DE PIEZAS

PPT-2620
Power Pruner®

Podadora de Extensión

25.4 cc

SERIAL NUMBER
 NÚMERO DE SERIE

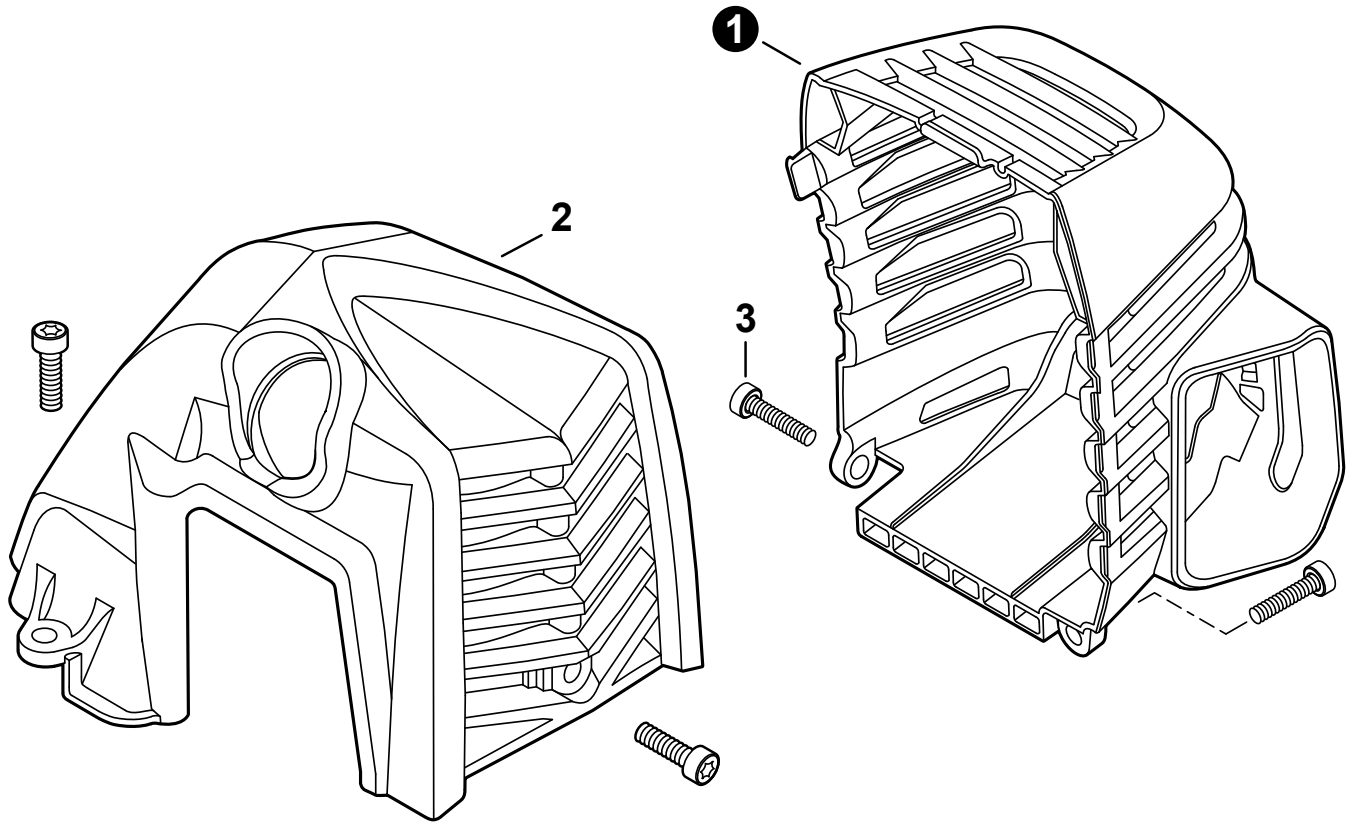
E60415001001 - E60415999999



P/N 99922205046
 REVISED 01/01/20

Table of Contents
Tabla de Contenido

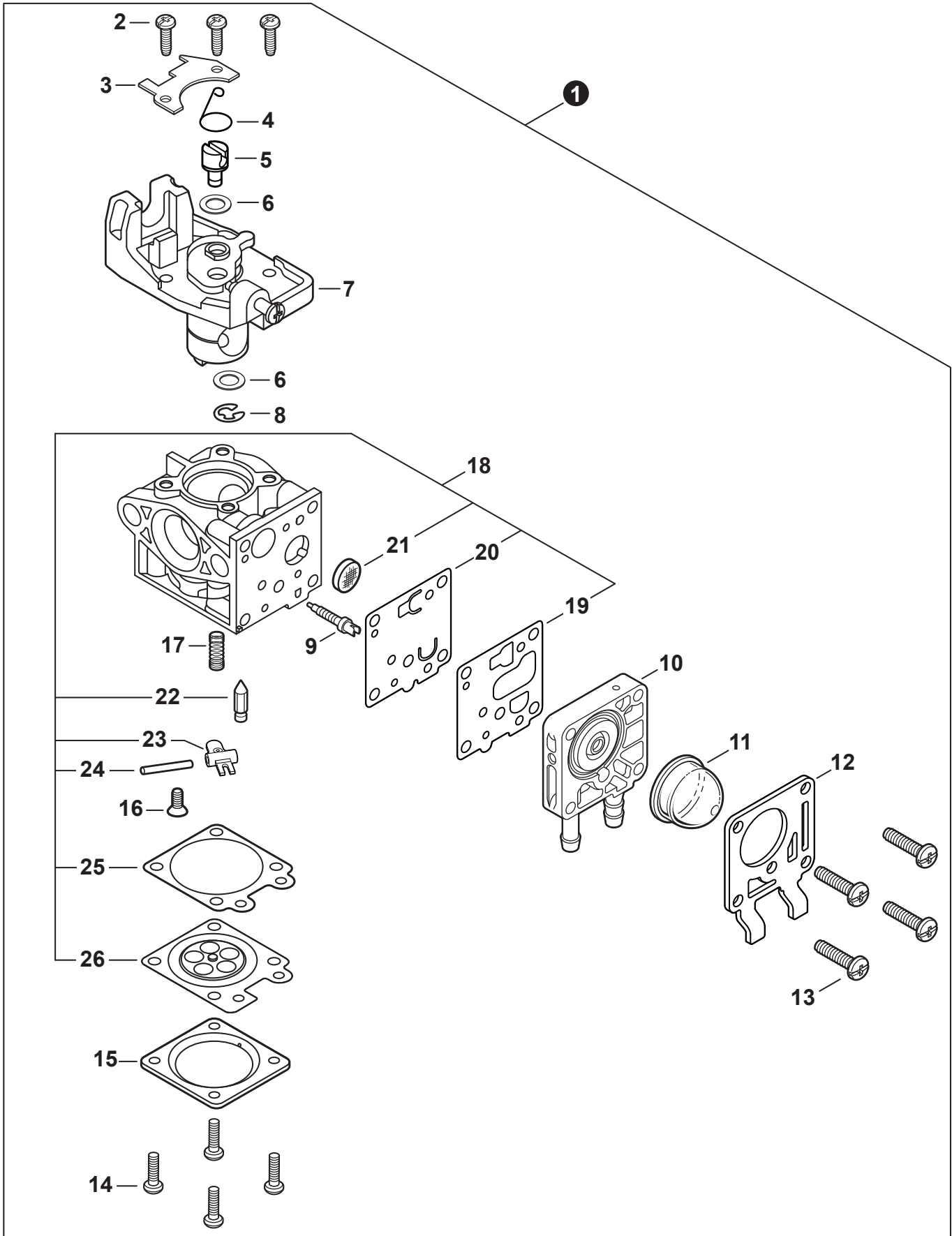
| | |
|---|---|
| Engine Cover 3 Cubierta de motor | Main Pipe - Lower 15 Tubo principal - Inferior |
| Engine 4 Motor | Main Pipe - Upper 16 Tubo principal - Superior |
| Engine 5 Motor | Shoulder Strap 17 Correa de hombro |
| Carburetor 6 Carburador | Gear Case 18 Caja de engranajes |
| Carburetor 7 Carburador | Gear Case 19 Caja de engranajes |
| Intake 8 Admisión | Labels 20 Etiquetas |
| Exhaust 9 Escape | Guide Bar, Saw Chain, Scabbard 21 Barra Guía, Cadena, Funda |
| Ignition 10 Encendido | Tools 21 Herramientas |
| Starter 11 Arrancador | Maintenance Kits 22 Juegos de mantenimiento |
| Fuel System 12 Sistema de combustible | Bulk Pipe 22 Tubo al por mayor |
| Fan Case 13 Carcasa de ventilador | Bulk Starter Rope 22 Cuerda del arrancador al por mayor |
| Main Pipe, Control Handle 14 Tubo principio, Mango de control | |



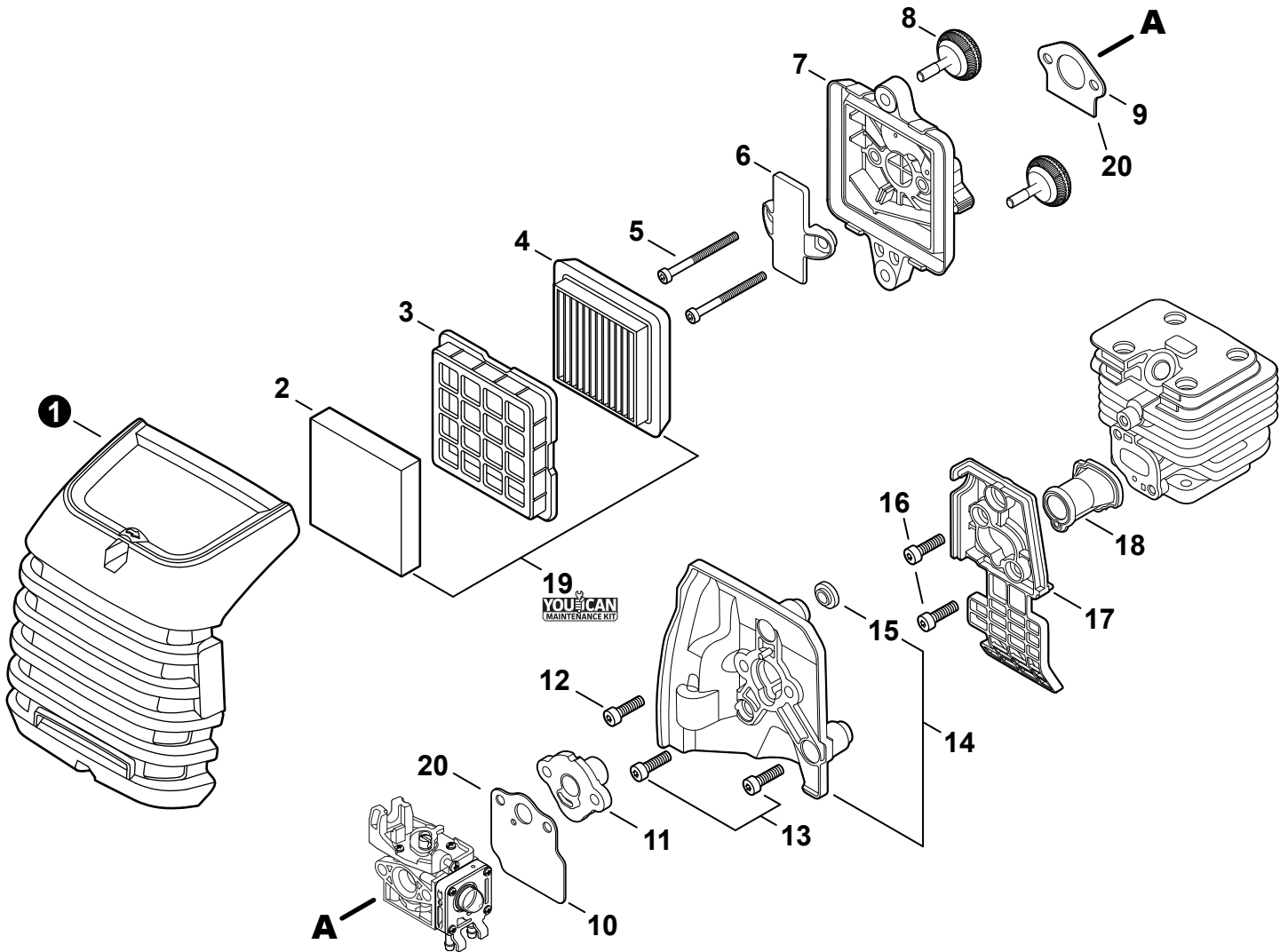
| NO. | PART NUMBER | QTY. | DESCRIPTION | DESCRIPCIÓN |
|-----|-------------|------|-----------------|--------------------------|
| 1 | A320001200 | 1 | COVER, MUFFLER | CUBIERTA DEL SILENCIADOR |
| 2 | A160003280 | 1 | COVER, ENGINE | CUBIERTA DE MOTOR |
| 3 | V835000010 | 4 | BOLT, TORX 5×12 | PERNO TORX 5×12 |



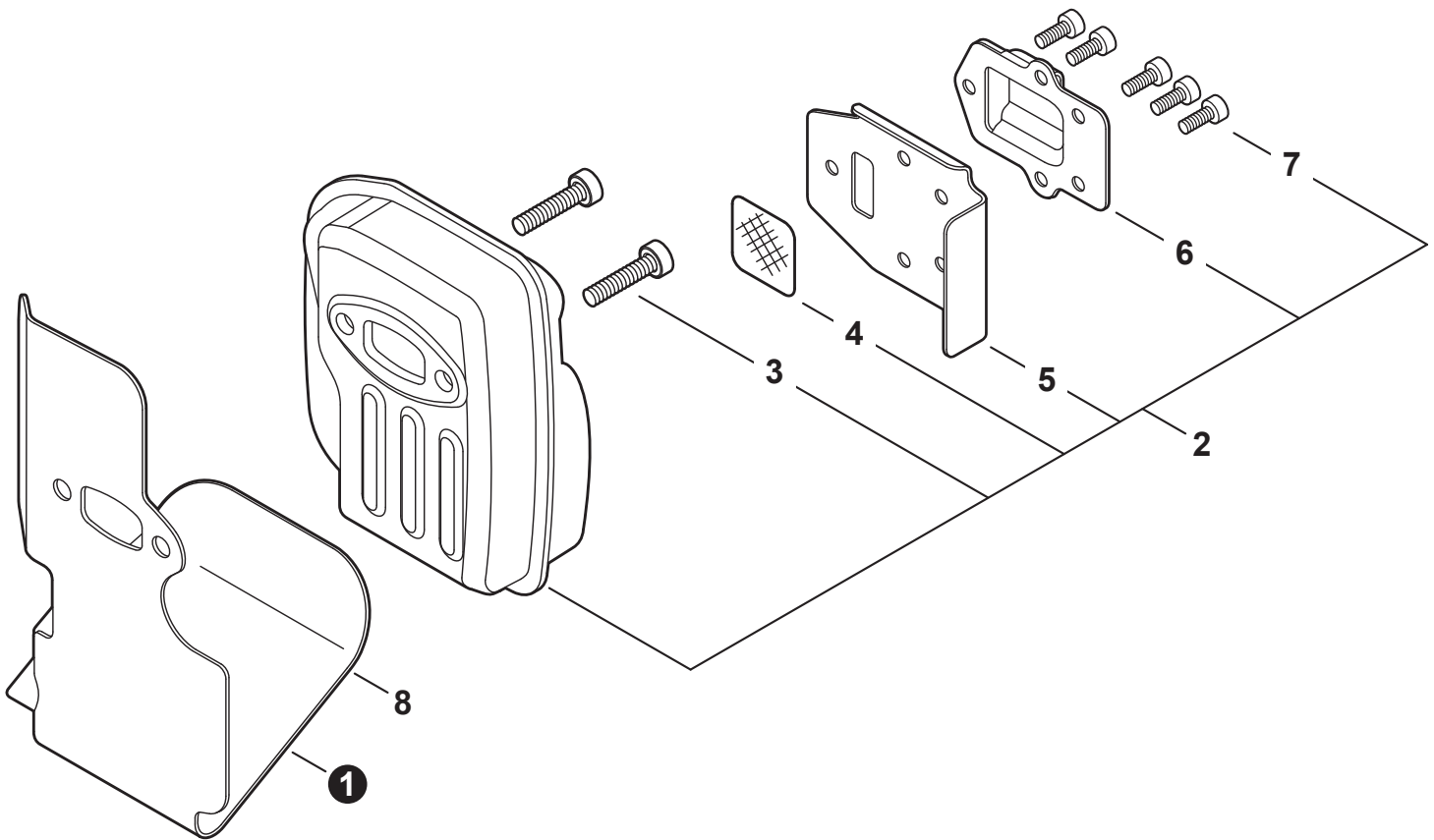
| NO. | PART NUMBER | QTY. | DESCRIPTION | DESCRIPCIÓN |
|-----|-------------|------|-------------------------------------|--|
| 1 | SB1118 | 1 | SHORT BLOCK | BLOQUE CORTO |
| 2 | V805000210 | 4 | +BOLT, TORX 5×20 | +PERNO TORX 5×20 |
| 3 | A130002330 | 1 | +CYLINDER | +CILINDRO |
| 4 | V103001900 | 1 | +GASKET, INTAKE | +EMPAQUETADURA DE ADMISIÓN |
| 5 | V103001890 | 1 | +HEAT SHIELD, INTAKE | +PROTECTOR TÉRMICO DEL ADMISIÓN |
| 6 | V104002310 | 1 | +HEAT SHIELD, EXHAUST | +PROTECTOR TÉRMICO DEL ESCAPE |
| 7 | V100000840 | 1 | +GASKET, CYLINDER | +EMPAQUETADURA DE CILINDRO |
| 8 | P021050840 | 1 | +PISTON KIT | +JUEGO DE PISTÓN |
| 9 | A101000010 | 2 | ++RING, PISTON | ++ANILLO DEL PISTÓN |
| 10 | 10001503931 | 2 | ++RING, SNAP | ++ANILLO RETENEDOR |
| 11 | V554000020 | 1 | ++BEARING, NEEDLE 9 | ++COJINETE DE AGUJAS 9 |
| 12 | 10001335430 | 1 | ++PIN, PISTON | ++PASADOR DEL PISTÓN |
| 13 | 10001453630 | 2 | ++WASHER, THRUST | ++ARANDELA DE EMPUJE |
| 14 | 10014212330 | 1 | +KEY, WOODRUFF | +CHAVETA WOODRUFF |
| 15 | A011001460 | 1 | +CRANKSHAFT ASSY | +MONTAJE DE CIGÜEÑAL |
| 16 | P021050850 | 1 | +CRANKCASE KIT | +JUEGO DE CÁRTER |
| 17 | V805000220 | 3 | ++BOLT, TORX 5×25 | ++PERNO TORX 5×25 |
| 18 | 10021242031 | 1 | ++SEAL, OIL 12 | ++SELLO DE ACEITE 12 |
| 19 | 90033040080 | 2 | ++PIN, LOCATING 4×8 | ++PASADOR DE POSICIONAMIENTO 4×8 |
| 20 | V102000300 | 1 | ++GASKET, CRANKCASE | ++EMPAQUETADURA DE CÁRTER |
| 21 | 90080036001 | 1 | ++BEARING, BALL 6001 | ++COJINETE DE BALINES 6001 |
| 22 | 90081036000 | 1 | ++BEARING, BALL | ++COJINETE DE BALINES |
| 23 | V503000040 | 1 | ++SEAL, OIL 10 | ++SELLO DE ACEITE 10 |
| 24 | P021051540 | 1 | GASKET KIT: ENGINE, INTAKE, EXHAUST | JUEGO DE EMPAQUETADURA - MOTOR, ADMISIÓN, ESCAPE |



| NO. | PART NUMBER | QTY. | DESCRIPTION | DESCRIPCIÓN |
|-----|-------------------|------|--------------------------------|--|
| 1 | A021004600 | 1 | CARBURETOR - WYG-9 | CARBURADOR - WYG-9 |
| 2 | 12311440630 | 3 | +SCREW | +TORNILLO |
| 3 | P003005900 | 1 | +PLATE | +PLACA |
| 4 | P003005890 | 1 | +CLIP | +SUJETADOR |
| 5 | P003005850 | 1 | +SWIVEL | +CONECTOR GIRATORIO |
| 6 | P003001710 | 2 | +WASHER | +ARANDELA |
| 7 | P003006140 | 1 | +THROTTLE VALVE ASSY | +MONTAJE DE LA VÁLVULA DEL ACELERADOR |
| 8 | 12317307930 | 1 | +E-RING | +RETENEDOR TIPO "E" |
| 9 | P003005880 | 1 | +NEEDLE, MIXTURE | +AGUJA DE REGULACION |
| 10 | P003006260 | 1 | +BODY ASSY, PUMP | +MONTAJE DE CUERPO DE BOMBA |
| 11 | 12318109560 | 1 | +BULB, PURGE | +BULBO DE PURGA |
| 12 | P003004510 | 1 | +COVER, FUEL PUMP | +CUBIERTA DE LA BOMBA DE COMBUSTIBLE |
| 13 | P003004570 | 4 | +SCREW | +TORNILLO |
| 14 | P003004560 | 4 | +SCREW | +TORNILLO |
| 15 | 12314203930 | 1 | +COVER, METERING DIAPHRAGM | +TAPA DE DIAFRAGMA DE MEDICIÓN |
| 16 | P003005860 | 1 | +SCREW | +TORNILLO |
| 17 | P003005870 | 1 | +SPRING | +RESORTE |
| 18 | P003005940 | 1 | +REPAIR KIT, CARBURETOR | +JUEGO DE REPARACIÓN DE CARBURADOR |
| 19 | | 1 | ++GASKET, FUEL PUMP | ++EMPAQUETADURA DE LA BOMBA DE COMBUSTIBLE |
| 20 | | 1 | ++DIAPHRAGM, FUEL PUMP | ++DIAFRAGMA DE LA BOMBA DE COMBUSTIBLE |
| 21 | | 1 | ++SCREEN, FUEL INLET | ++MALLA FILTRADORA |
| 22 | | 1 | ++VALVE, INLET NEEDLE | ++VÁLVULA REGULADORA |
| 23 | | 1 | ++LEVER, METERING | ++PALANCA DE MEDICIÓN |
| 24 | | 1 | ++PIN, METERING LEVER | ++PASADOR DE PALANCA DE MEDICIÓN |
| 25 | | 1 | ++GASKET, METERING DIAPHRAGM | ++EMPAQUETADURA DIAFRAGMA DE MEDICIÓN |
| 26 | | 1 | ++DIAPHRAGM, METERING | ++DIAFRAGMA DE MEDICIÓN |



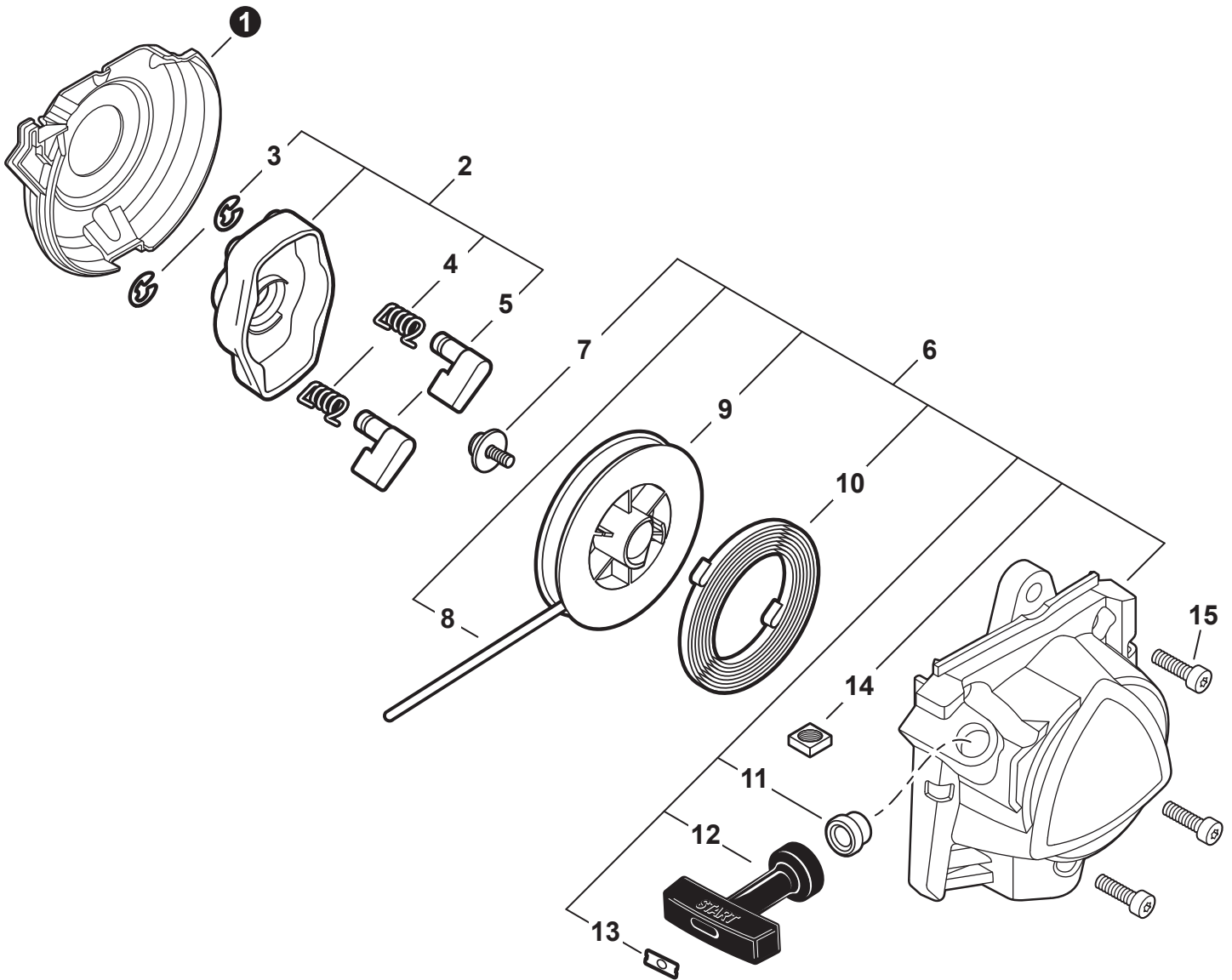
| NO. | PART NUMBER | QTY. | DESCRIPTION | DESCRIPCIÓN |
|-----|-------------------|------|--|---|
| 1 | A232001890 | 1 | COVER, AIR FILTER | CUBIERTA DEL FILTRO DE AIRE |
| 2 | A226002040 | 1 | PRE-FILTER, FOAM | PRÉ-FILTRO DE ESPUMA |
| 3 | A227000050 | 1 | RETAINER, PRE-FILTER | SUJETADOR, PRE-FILTRO |
| 4 | A226002030 | 1 | FILTER, AIR | FILTRO DE AIRE |
| 5 | V805000340 | 2 | BOLT, TORX 5×60 | PERNO TORX 5×60 |
| 6 | A244000370 | 1 | PLATE, PREVENT | PLACA DE PREVENCIÓN |
| 7 | P021050880 | 1 | CASE, AIR FILTER | CAJA DEL FILTRO DE AIRE |
| 8 | V299000640 | 2 | THUMBSCREW | TORNILLO DE OREJETAS |
| 9 | V103001900 | 1 | GASKET, INTAKE | EMPAQUETADURA DE ADMISIÓN |
| 10 | V103001890 | 1 | HEAT SHIELD, INTAKE | PROTECTOR TÉRMICO DEL ADMISIÓN |
| 11 | A209001000 | 1 | BOOT, INSULATOR PLATE | BOTA, PLACA AISLANTE |
| 12 | V855000000 | 1 | BOLT, TORX 5×20 | PERNO TORX 5×20 |
| 13 | V805000150 | 2 | BOLT, TORX 5×16 | PERNO TORX 5×16 |
| 14 | A209001010 | 1 | PLATE, INSULATOR | PLACA AISLANTE |
| 15 | V353000020 | 1 | +COLLAR 5 | +COLLAR 5 |
| 16 | V253001020 | 2 | SCREW 5×16 | TORNILLO 5×16 |
| 17 | A206000040 | 1 | HOLDER, BELLOWS | SOPORTE DE FUELLE |
| 18 | A202000300 | 1 | BELLOWS, INTAKE | FUELLE DE ADMISIÓN |
| 19 | 90181Y | 1 | TUNE-UP KIT - YOU CAN™ | JUEGO DE PUESTA A PUNTO - YOU CAN™ |
| 20 | P021051540 | 1 | GASKET KIT: ENGINE, INTAKE, EXHAUST | JUEGO DE EMPAQUETADURA - MOTOR, ADMISIÓN, ESCAPE |



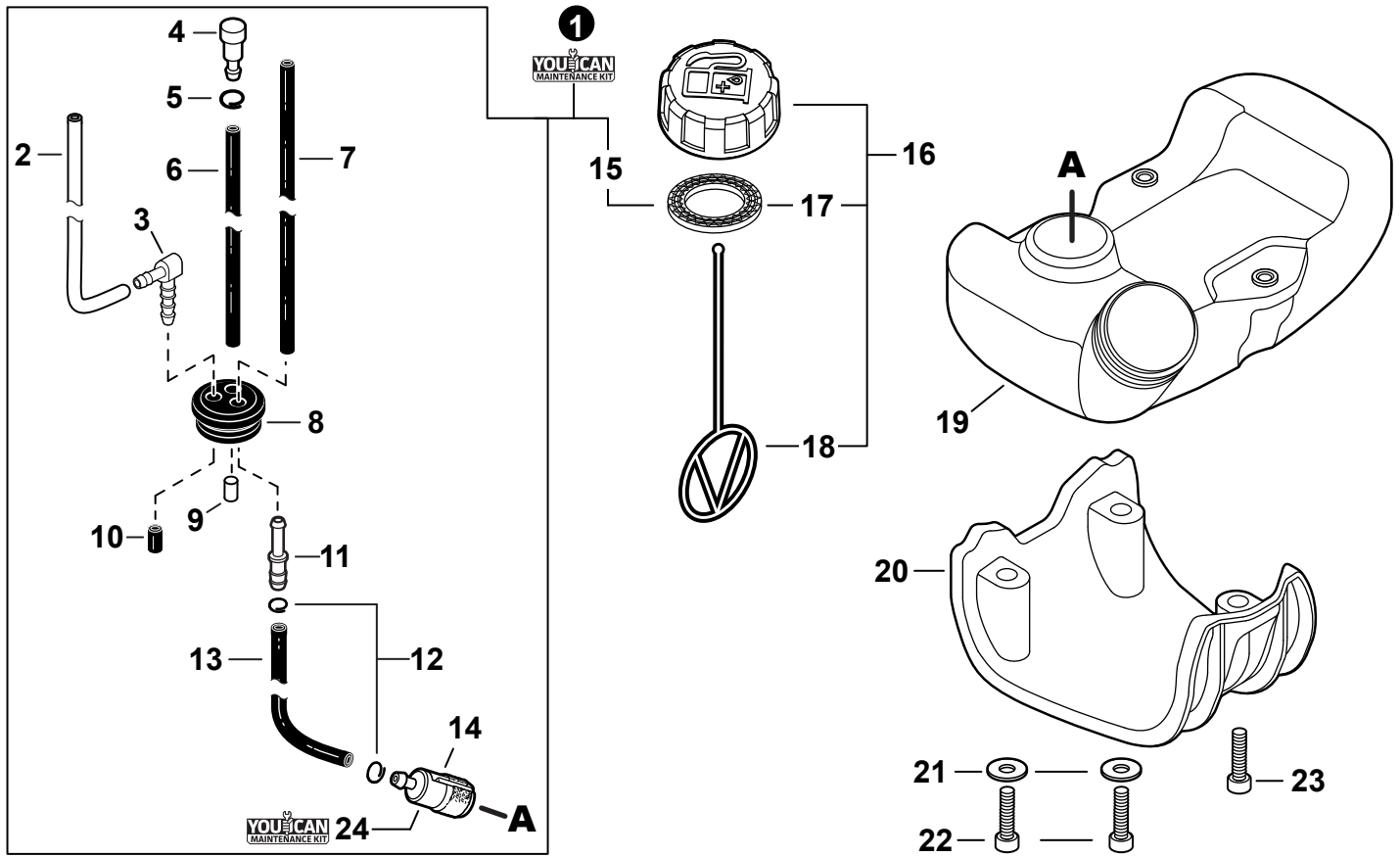
| NO. | PART NUMBER | QTY. | DESCRIPTION | DESCRIPCIÓN |
|-----|-------------------|------|--|---|
| 1 | V104002310 | 1 | HEAT SHIELD, EXHAUST | PROTECTOR TÉRMICO DEL ESCAPE |
| 2 | P021050900 | 1 | MUFFLER ASSY | MONTAJE DE SILENCIADOR |
| 3 | V805000250 | 2 | +BOLT, TORX 5×16 | +PERNO TORX 5×16 |
| 4 | 14586240630 | 1 | +SCREEN, SPARK ARRESTER | +PANTALLA DEL GUARDACHISPAS |
| 5 | V104002300 | 1 | +GASKET, EXHAUST | +EMPAQUETADURA DE ESCAPE |
| 6 | A313002060 | 1 | +GUIDE, EXHAUST | +GUÍA DE ESCAPE |
| 7 | V804000030 | 5 | +BOLT, TORX 4×8 | +PERNO TORX 4×8 |
| 8 | P021051540 | 1 | GASKET KIT: ENGINE, INTAKE, EXHAUST | JUEGO DE EMPAQUETADURA - MOTOR, ADMISIÓN, ESCAPE |



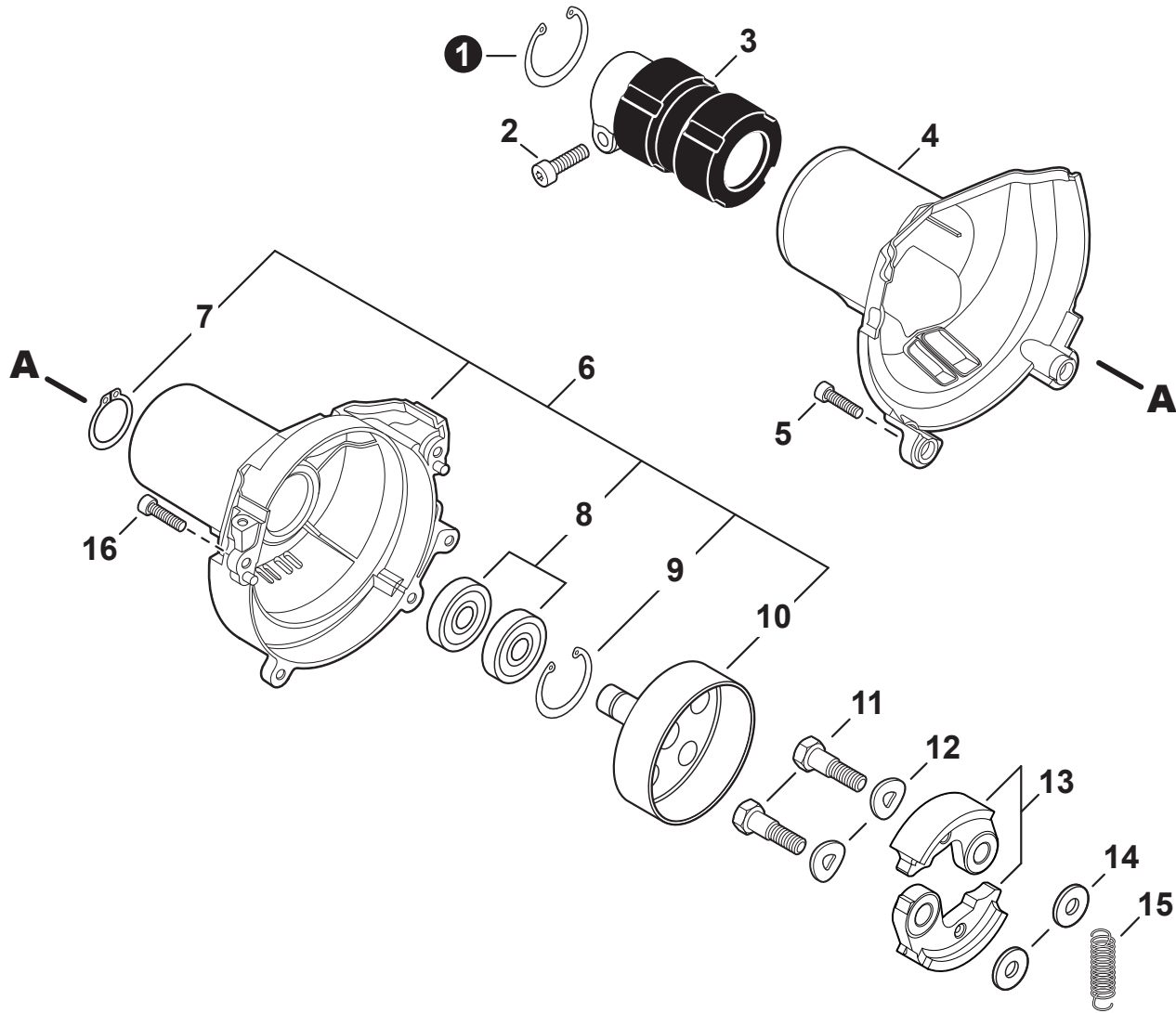
| NO. | PART NUMBER | QTY. | DESCRIPTION | DESCRIPCIÓN |
|-----|-------------|------|-----------------------|-----------------------------------|
| 1 | V485002880 | 1 | LEAD SET - IGNITION | JUEGO DE CABLE DE ENCENDIDO |
| 2 | V805000210 | 2 | BOLT, TORX 5×20 | PERNO TORX 5×20 |
| 3 | C152001030 | 1 | CONNECTOR | CONECTOR |
| 4 | A411001710 | 1 | COIL, IGNITION | BOBINA DE ENCENDIDO |
| 5 | V323000070 | 2 | SPACER 5 | ESPACIADOR 5 |
| 6 | V475007540 | 1 | TUBE, INSULATOR | TUBO AISLANTE |
| 7 | 15611004920 | 1 | GROMMET | OJAL |
| 8 | A427000220 | 1 | CAP, SPARK PLUG | TAPA DE BUJÍA |
| 9 | A426000010 | 1 | TERMINAL, SPARK PLUG | TERMINAL DE BUJÍA |
| 10 | A425000060 | 1 | SPARK PLUG - CMR7H | BUJÍA - CMR7H |
| 11 | 90051500008 | 1 | NUT, FLANGE M8 | TUERCA-BRIDA M8 |
| 12 | A409001320 | 1 | FLYWHEEL | VOLANTE |
| 13 | 90181Y | 1 | TUNE-UP KIT - YOUCAN™ | JUEGO DE PUESTA A PUNTO - YOUCAN™ |



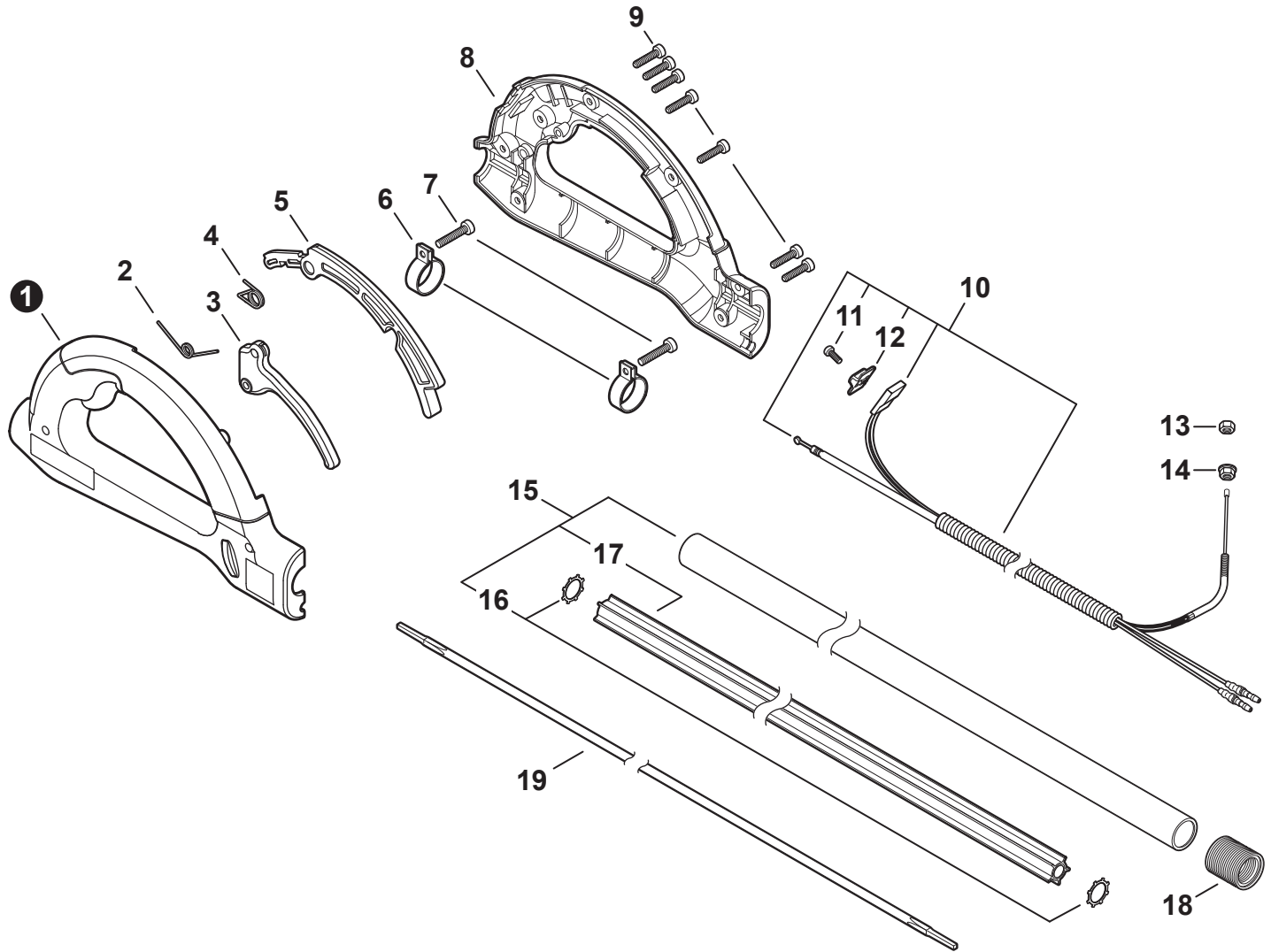
| NO. | PART NUMBER | QTY. | DESCRIPTION | DESCRIPCIÓN |
|-----|-------------|------|----------------------|--------------------------------------|
| 1 | A127000470 | 1 | COVER, DUST | CUBIERTA ANTIPOLVO |
| 2 | A052000030 | 1 | PAWL ASSY, STARTER | MONTAJE DE TRINQUETE |
| 3 | P022002100 | 2 | +E-RING 4 | +RETENEDOR TIPO "E" 4 |
| 4 | 17723440630 | 2 | +SPRING, RETURN | +RESORTE DE RETORNO |
| 5 | A514000120 | 2 | +PAWL, STARTER | +TRINQUETE |
| 6 | A051003210 | 1 | STARTER ASSY, RECOIL | MONTAJE DE ARRANCADOR AUTORRETRÁCTIL |
| 7 | 17723644330 | 1 | +SCREW | +TORNILLO |
| 8 | P022043690 | 1 | +ROPE, STARTER | +CUERDA DEL ARRANCADOR |
| 9 | 17721540630 | 1 | +REEL, ROPE | +CARRETE DEL CABLE |
| 10 | 17722040630 | 1 | +SPRING, RECOIL | +RESORTE RECULAR |
| 11 | 17722742030 | 1 | +GUIDE, ROPE | +GUÍA DE CUERDA |
| 12 | 17722827030 | 1 | +GRIP, STARTER | +AGARRE DEL ARRANCADOR |
| 13 | P022037670 | 1 | +RETAINER, ROPE | +RETENEDOR DE CUERDA |
| 14 | 90056500005 | 2 | +NUT M5 | +TUERCA M5 |
| 15 | V835000010 | 3 | BOLT, TORX 5×12 | PERNO TORX 5×12 |



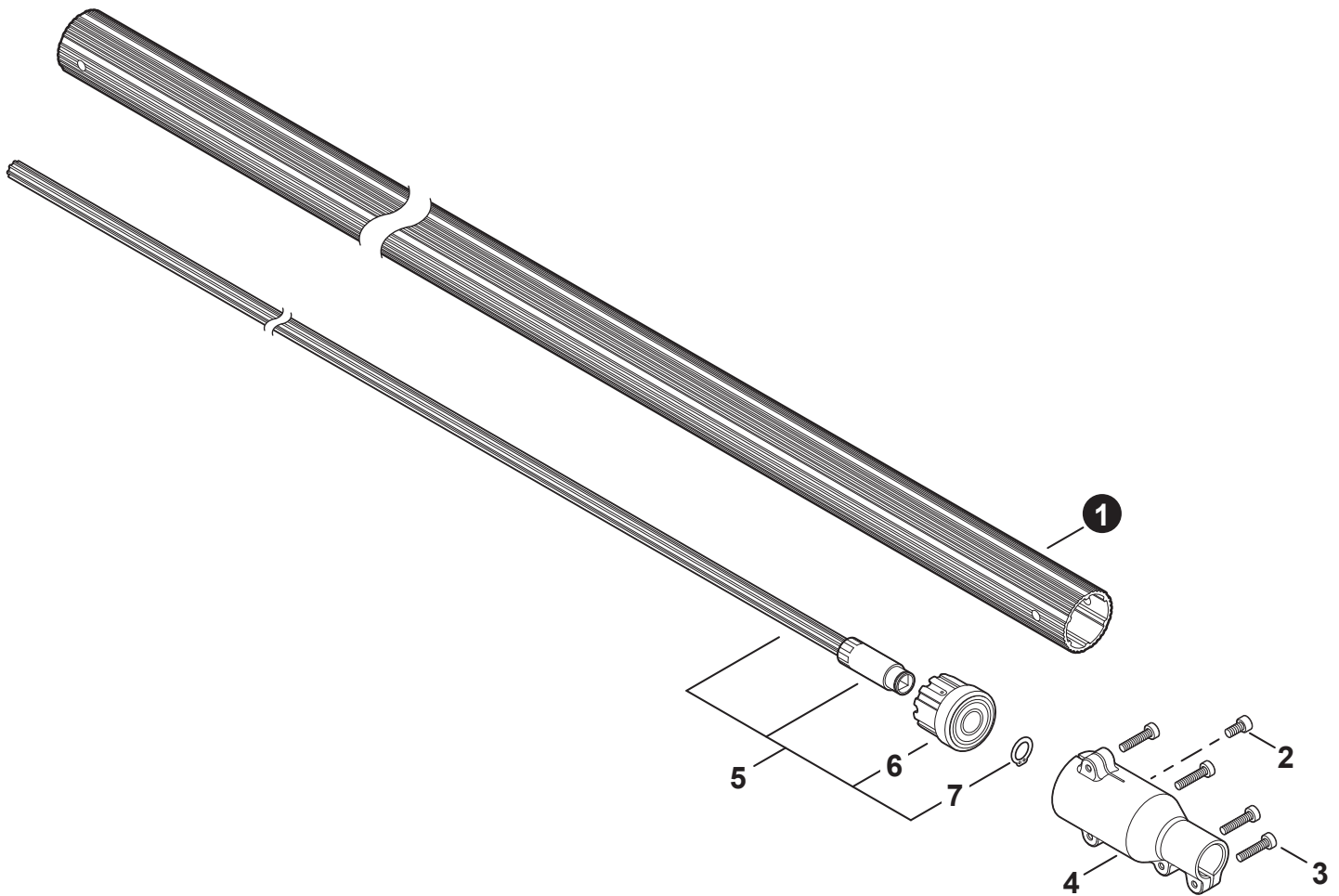
| NO. | PART NUMBER | QTY. | DESCRIPTION | DESCRIPCIÓN |
|-----|-------------|------|-------------------------------|--|
| 1 | 90182Y | 1 | FUEL SYSTEM KIT - YOUCAN™ | KIT DEL SISTEMA DE COMBUSTIBLE - YOUCAN™ |
| 2 | 13201256030 | 1 | +PIPE, FUEL 3×6×80 CLEAR | +TUBO DE COMBUSTIBLE 3×6×80 TRANSPARENTE |
| 3 | V186000500 | 1 | +CONNECTOR, PIPE | +CONECTOR DE TUBO |
| 4 | A356000031 | 1 | +VENT ASSY | +VÁLVULA DE RESPIRADERO |
| 5 | V490001230 | 1 | +CLIP Ø6.5 MM | +SUJETADOR Ø6.5 MM |
| 6 | 13201006530 | 1 | +PIPE, FUEL 3×6×85 BLACK | +TUBO DE COMBUSTIBLE 3×6×85 NEGRO |
| 7 | V471005650 | 1 | +PIPE, FUEL 3×5.5×83 BLACK | +TUBO DE COMBUSTIBLE 3×5.5×83 NEGRO |
| 8 | 13211555930 | 1 | +GROMMET, FUEL | +OJAL DE COMBUSTIBLE |
| 9 | 13131435430 | 1 | +FILTER, VENT | +FILTRO DE RESPIRADERO |
| 10 | V471005440 | 1 | +PIPE, FUEL 3×7×10 BLACK | +TUBO DE COMBUSTIBLE 3×7×10 NEGRO |
| 11 | V186000520 | 1 | +CONNECTOR, PIPE Ø5×Ø3.5 | +CONECTOR DE TUBO Ø5×Ø3.5 |
| 12 | V490001240 | 2 | +CLIP Ø6 | +SUJETADOR Ø6 |
| 13 | V471003651 | 1 | +PIPE, FUEL - 3×5×125 - BLACK | +TUBO DE COMBUSTIBLE 3×5×125 NEGRO |
| 14 | A369000470 | 1 | +FILTER, FUEL | +FILTRO DE COMBUSTIBLE |
| 15 | V107000210 | 1 | +GASKET, FUEL CAP | +EMPAQUETADURA DE TAPA DE COMBUSTIBLE |
| 16 | P021053030 | 1 | CAP ASSY, FUEL | MONTAJE DE TAPA DE COMBUSTIBLE |
| 17 | V107000210 | 1 | +GASKET, FUEL CAP | +EMPAQUETADURA DE TAPA DE COMBUSTIBLE |
| 18 | A365000060 | 1 | +CONNECTOR, CAP L= 123 | +CONECTOR DE TAPA L= 123 |
| 19 | A350002341 | 1 | TANK, FUEL | TANQUE DE COMBUSTIBLE |
| 20 | A175000040 | 1 | GUARD, FUEL TANK | PROTECTOR, TANQUE DE COMBUSTIBLE |
| 21 | 90060200005 | 2 | WASHER 5.3×10×1 | ARANDELA 5.3×10×1 |
| 22 | V805000170 | 2 | BOLT, TORX 5×25 | PERNO TORX 5×25 |
| 23 | V805000160 | 1 | BOLT, TORX 5×20 | PERNO TORX 5×20 |
| 24 | 90181Y | 1 | TUNE-UP KIT - YOUCAN™ | JUEGO DE PUESTA A PUNTO - YOUCAN™ |



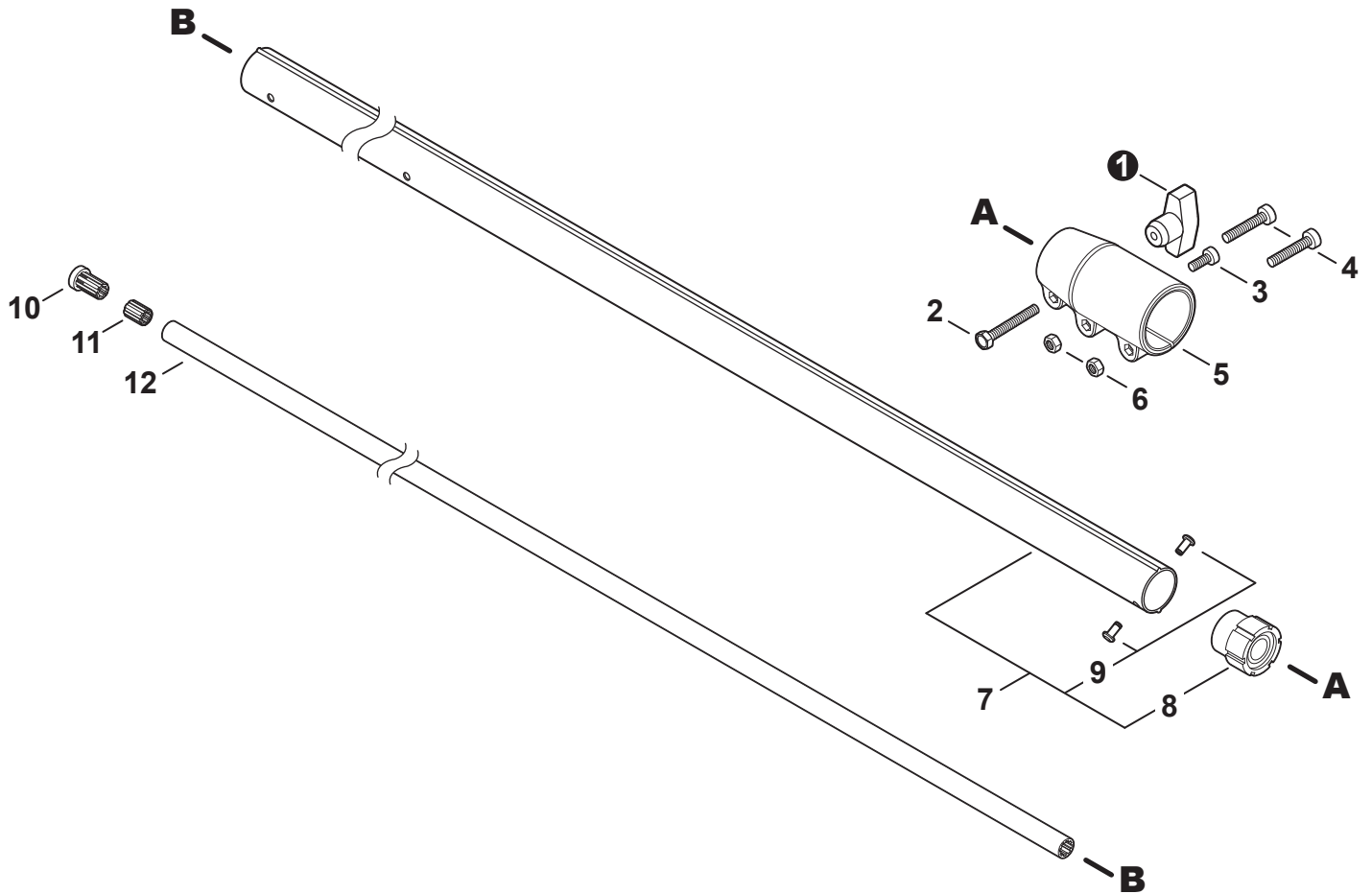
| NO. | PART NUMBER | QTY. | DESCRIPTION | DESCRIPCIÓN |
|-----|-------------------|------|---------------------------|--|
| 1 | 90070200042 | 1 | RING, SNAP Ø42 | ANILLO RETENEDOR Ø42 |
| 2 | V805000170 | 1 | BOLT, TORX 5×25 | PERNO TORX 5×25 |
| 3 | A575000640 | 1 | HOLDER, MAIN PIPE | SUJETADOR DE TUBO PRINCIPAL |
| 4 | A413000080 | 1 | PROTECTOR, FAN COVER | PROTECTOR DEL CUBIERTA DE VENTILADOR |
| 5 | V805000160 | 2 | BOLT, TORX 5×20 | PERNO TORX 5×20 |
| 6 | P021052180 | 1 | COVER ASSY, FAN | MONTAJE DE CUBIERTA DE VENTILADOR |
| 7 | 90070100015 | 1 | +RING, RETAINING 15 | +ANILLO DE RETENCIÓN 15 |
| 8 | 9400906902 | 2 | +BEARING, BALL | +COJINETE DE BALINES |
| 9 | 90070200028 | 1 | +RING, SNAP 28 | +ANILLO RETENEDOR 28 |
| 10 | A556001780 | 1 | +DRUM, CLUTCH | +TAMBOR EMBRAGUE |
| 11 | 17504656030 | 2 | BOLT, CLUTCH 8×7.9×M6 | PERNO DE EMBRAGUE 8×7.9×M6 |
| 12 | 17504956030 | 2 | WASHER, SPRING 8.5×16×0.5 | ARANDELA DE PRESION 8.5×16×0.5 |
| 13 | A553000190 | 2 | SHOE, CLUTCH | ZAPATA DE EMBRAGUE |
| 14 | 17504805530 | 2 | WASHER 6.2×19×1.0 | ARANDELA 6.2×19×1.0 |
| 15 | V451001390 | 1 | SPRING, CLUTCH | RESORTE DEL EMBRAGUE |
| 16 | V805000150 | 2 | BOLT, TORX 5×16 | PERNO TORX 5×16 |



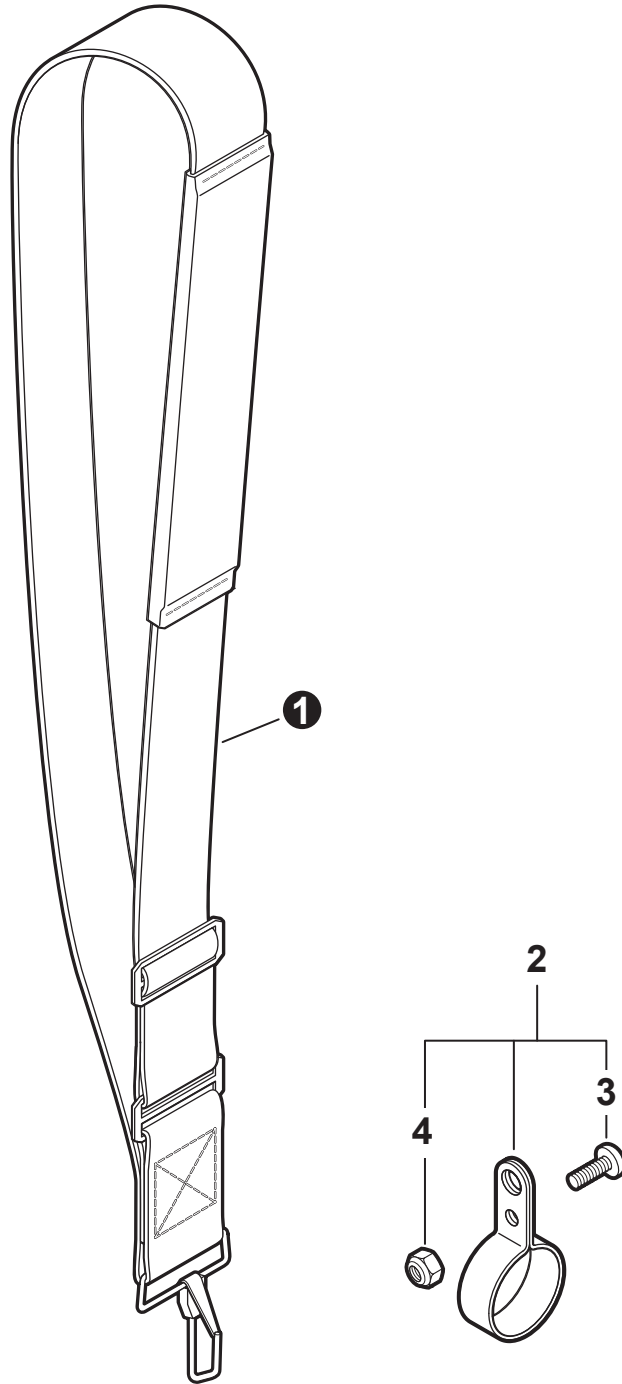
| NO. | PART NUMBER | QTY. | DESCRIPTION | DESCRIPCIÓN |
|-----|-------------------|------|----------------------------|--------------------------------------|
| 1 | C041000011 | 1 | BODY, HANDLE - LEFT | CUERPO DE MANGO - IZQUIERDO |
| 2 | V452000330 | 1 | SPRING, TORSION | RESORTE DE TORSIÓN |
| 3 | C450000260 | 1 | TRIGGER, THROTTLE | GATILLO DEL ACELERADOR |
| 4 | V452000340 | 1 | SPRING, TORSION | RESORTE DE TORSIÓN |
| 5 | C460000100 | 1 | LOCKOUT, THROTTLE | SEGURO DEL ACELERADOR |
| 6 | V495003020 | 2 | CLAMP | ABRAZADERA |
| 7 | V805000150 | 2 | BOLT, TORX 5×16 | PERNO TORX 5×16 |
| 8 | C041000001 | 1 | BODY, HANDLE - RIGHT | CUERPO DE MANGO - DERECHO |
| 9 | V805000000 | 7 | BOLT, TORX 5×16 | PERNO TORX 5×16 |
| 10 | P021052190 | 1 | CABLE ASSY, CONTROL | MONTAJE DE CABLE PARA CONTROL |
| 11 | 9154503010 | 1 | +SCREW 3×10 | +TORNILLO 3×10 |
| 12 | A444000020 | 1 | +KNOB, SWITCH - ORANGE | +BOTÓN DE INTERRUPTOR - NARANJA |
| 13 | 90050200006 | 1 | NUT M6 | TUERCA M6 |
| 14 | 90051800006 | 1 | NUT, FLANGE M6 | TUERCA-BRIDA M6 |
| 15 | C500000830 | 1 | MAIN PIPE ASSY | MONTAJE DE TUBO PRINCIPAL |
| 16 | V583000110 | 2 | +WASHER | +ARANDELA |
| 17 | C507000180 | 1 | +LINER - FLEXIBLE | +FORRO - FLEXIBLE |
| 18 | V475004000 | 1 | TUBE, FLEXIBLE | TUBO FLEXIBLE |
| 19 | C506000520 | 1 | DRIVESHAFT - FLEXIBLE | EJE DE MANDO - FLEXIBLE |



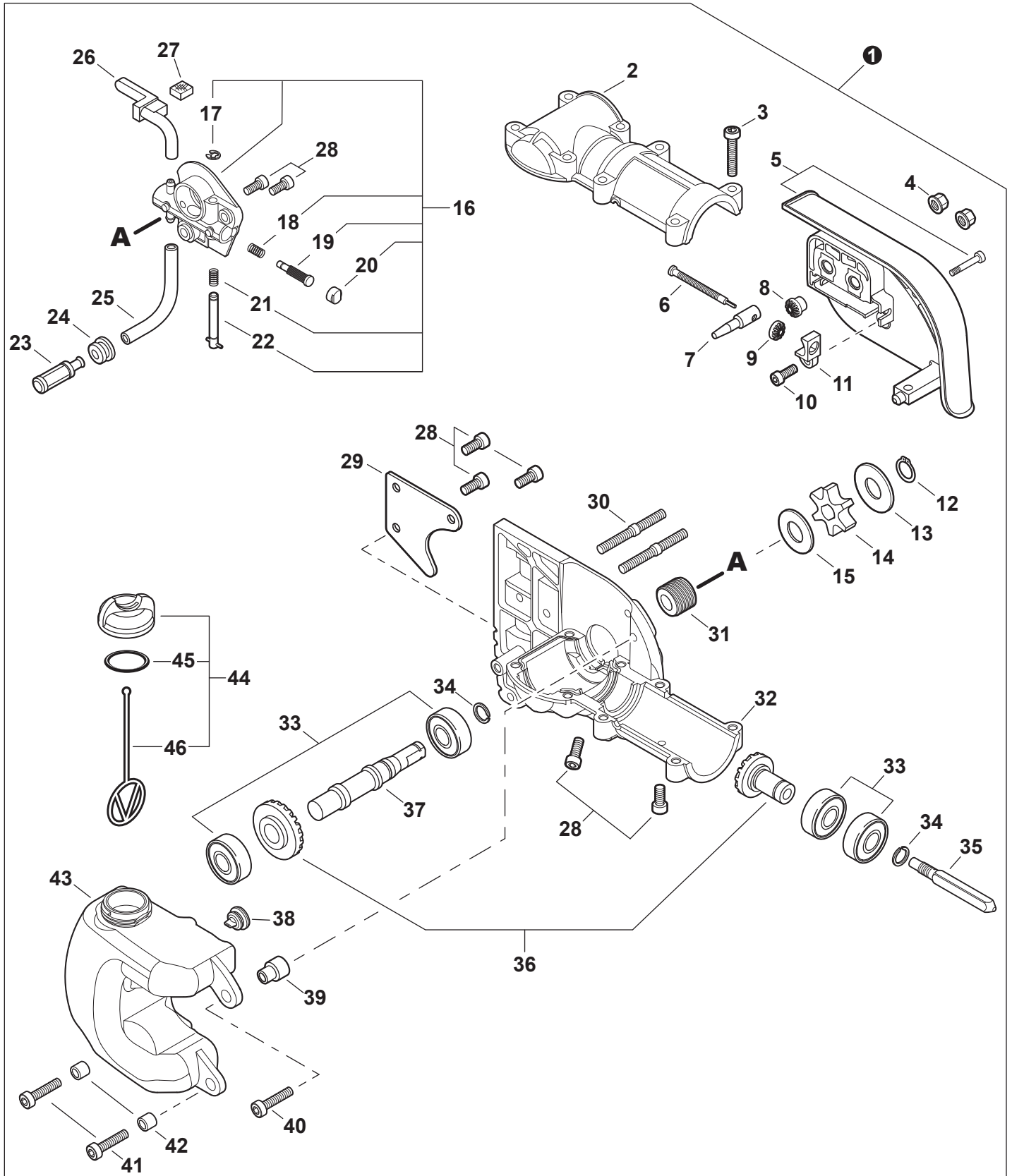
| NO. | PART NUMBER | QTY. | DESCRIPTION | DESCRIPCIÓN |
|-----|-------------------|------|-------------------------------|---|
| 1 | C500000271 | 1 | PIPE, MAIN - ORANGE | TUBO PRINCIPAL - NARANJA |
| 2 | V805000150 | 1 | BOLT, TORX 5×16 | PERNO TORX 5×16 |
| 3 | V805000160 | 4 | BOLT, TORX 5×20 | PERNO TORX 5×20 |
| 4 | C510000320 | 1 | COUPLING, MAIN PIPE | ACOPLAMIENTO DE TUBO PRINCIPAL |
| 5 | C504001320 | 1 | DRIVESHAFT ASSY, LOWER | MONTAJE DE EJE DE MANDO INFERIOR |
| 6 | C503000100 | 1 | +HOLDER ASSY, BEARING | +MONTAJE DE SOPORTE DE COJINETE |
| 7 | 10022922460 | 1 | +RING, RETAINING | +ANILLO DE RETENCIÓN |



| NO. | PART NUMBER | QTY. | DESCRIPTION | DESCRIPCIÓN |
|-----|-------------------|------|-------------------------------|--|
| 1 | V299000660 | 1 | THUMBSCREW | TORNILLO DE OREJETAS |
| 2 | 90010006025 | 1 | BOLT 6×25 | PERNO 6×25 |
| 3 | V805000140 | 1 | BOLT, TORX 5×12 | PERNO TORX 5×12 |
| 4 | V805000160 | 2 | BOLT, TORX 5×20 | PERNO TORX 5×20 |
| 5 | C510000280 | 1 | COUPLING | ACOPLAMIENTO |
| 6 | 90050000005 | 2 | NUT M5 | TUERCA M5 |
| 7 | C050003130 | 1 | MAIN PIPE ASSY - BLACK | MONTAJE DE TUBO PRINCIPAL - NEGRO |
| 8 | C503000080 | 1 | +HOLDER ASSY, BEARING | +MONTAJE DE SOPORTE DE COJINETE |
| 9 | 89001122360 | 2 | +RIVET | +REMACHE |
| 10 | C509000080 | 1 | SOCKET - OUTER | CAVIDAD - EXTERIOR |
| 11 | C509000090 | 1 | SOCKET - INNER | CAVIDAD - INTERIOR |
| 12 | C504000360 | 1 | DRIVESHAFT - UPPER | EJE DE MANDO - SUPERIOR |



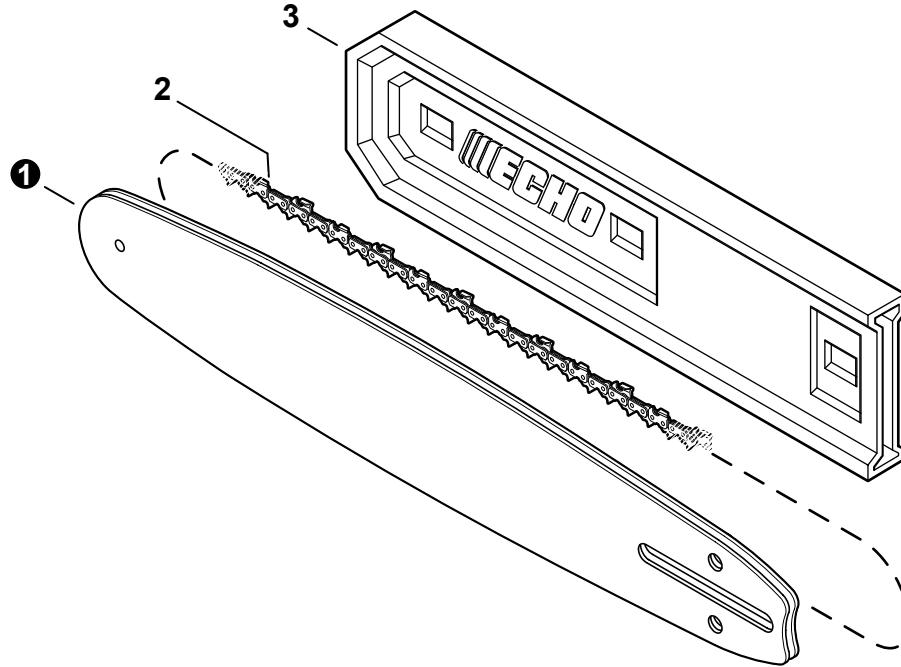
| NO. | PART NUMBER | QTY. | DESCRIPTION | DESCRIPCIÓN |
|-----|-------------|------|-------------------------|-----------------------------|
| 1 | 30100022060 | 1 | STRAP ASSY, SHOULDER | MONTAJE DE CORREA DE HOMBRO |
| 2 | P021049240 | 1 | HANGER KIT | JUEGO DE COLGADOR |
| 3 | V805000130 | 1 | +BOLT, TORX 5×10 | +PERNO TORX 5×10 |
| 4 | V263000080 | 1 | +NUT, M5×8 NYLON INSERT | +TUERCA M5×8 |



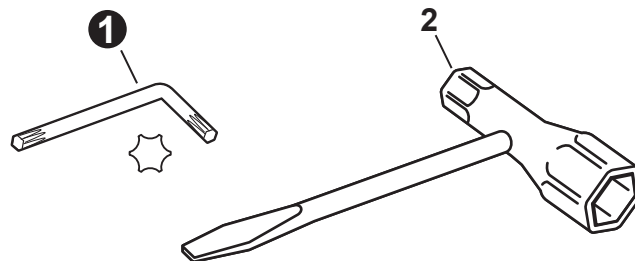
| NO. | PART NUMBER | QTY. | DESCRIPTION | DESCRIPCIÓN |
|-----|-------------|------|---------------------------|------------------------------------|
| 1 | 9001015 | 1 | GEAR CASE ASSY | MONTAJE DE CAJA DE ENGRANAJES |
| 2 | C531000030 | 1 | +CASE, GEAR - UPPER Ø35 | +CAJA DE ENGRANAJES - SUPERIOR Ø35 |
| 3 | V805000170 | 8 | +BOLT, TORX 5×25 | +PERNO TORX 5×25 |
| 4 | 43301903933 | 2 | +NUT, FLANGE M6 | +TUERCA-BRIDA M6 |
| 5 | C300000920 | 1 | +GUARD, SPROCKET | +CUBIERTA DEL PIÑÓN |
| 6 | V203000041 | 1 | +BOLT 5 | +PERNO 5 |
| 7 | C309000030 | 1 | +TENSIONER, CHAIN | +SENSOR DE CADENA |
| 8 | V651000320 | 1 | +GEAR - 14 TOOTH | +ENGRANAJE - 14 DIENTE |
| 9 | V651000310 | 1 | +GEAR - 14 TOOTH | +ENGRANAJE - 14 DIENTE |
| 10 | V252000040 | 1 | +SCREW 4 | +TORNILLO 4 |
| 11 | V355000140 | 1 | +COLLAR 8 | +COLLAR 8 |
| 12 | V583000090 | 1 | +RING, SNAP | +ANILLO RETENEDOR |
| 13 | V307000160 | 1 | +WASHER 10 | +ARANDELA 10 |
| 14 | C580000070 | 1 | +SPROCKET, DRIVE | +RUEDA DENTADA |
| 15 | 17501439131 | 1 | +WASHER 10.2×24.5×1.2 | +ARANDELA 10.2×24.5×1.2 |
| 16 | C022000010 | 1 | +AUTO-OILER ASSY | +MONTAJE DE ENGRASADOR AUTOMÁTICO |
| 17 | 12532715130 | 1 | ++E-RING | ++RETENEDOR TIPO "E" |
| 18 | P022010660 | 1 | ++SPRING | ++RESORTE |
| 19 | P022010650 | 1 | ++PLUNGER ASSY | ++MONTAJE DE ÉMBOLO |
| 20 | P022010640 | 1 | ++CAP, PLUNGER | ++TAPA DE ÉMBOLO |
| 21 | P022010670 | 1 | ++SPRING | ++RESORTE |
| 22 | P022010680 | 1 | ++ADJUSTER, OILER | ++AJUSTADOR DE ENGRASADOR |
| 23 | 43620502832 | 1 | +FILTER, OIL | +FILTRO DE ACEITE |
| 24 | 13211501461 | 1 | +GROMMET | +OJAL |
| 25 | 13011012330 | 1 | +PIPE 3×6×70 | +TUBO 3×6×70 |
| 26 | V470000180 | 1 | +PIPE, OIL OUTLET | +TUBO DE SALIDA DE ACEITE |
| 27 | 43724439130 | 1 | +PAD, FOAM | +AMORTIGUADOR DE ESPUMA |
| 28 | V805000130 | 7 | +BOLT, TORX 5×10 | +PERNO TORX 5×10 |
| 29 | C649000140 | 1 | +HOOK | +GANCHO |
| 30 | V224000040 | 2 | +BOLT, STUD 6 | +PERNO PRISIONERO 6 |
| 31 | 43706338330 | 1 | +GEAR, WORM | +ENGRANAJE DE TORNILLO SIN FIN |
| 32 | C531000430 | 1 | +CASE, GEAR | +CAJA DE ENGRANAJES |
| 33 | 9404206001 | 4 | +BEARING, BALL | +COJINETE DE BALINES |
| 34 | 90070600012 | 2 | +RING, SNAP Ø12 | +ANILLO RETENEDOR Ø12 |
| 35 | 61002522361 | 1 | +CONNECTOR, DRIVE SHAFT | +CONECTOR DE EJE DE TRANSMISIÓN |
| 36 | P021009721 | 1 | +GEAR SET, BEVEL | +JUEGO DE ENGRANAJES CÓNICO |
| 37 | C534000430 | 1 | +SHAFT, GEAR | +EJE DE ENGRANAJE |
| 38 | 13131406320 | 1 | +VENT ASSY | +VÁLVULA DE RESPIRADERO |
| 39 | V354000010 | 1 | +COLLAR 6 | +COLLAR 6 |
| 40 | V805000170 | 1 | +BOLT, TORX 5×25 | +PERNO TORX 5×25 |
| 41 | V805000160 | 2 | +BOLT, TORX 5×20 | +PERNO TORX 5×20 |
| 42 | 13104528230 | 2 | +SPACER 6.2×7.8×6 | +ESPACIADOR 6.2×7.8×6 |
| 43 | C200000081 | 1 | +TANK, OIL | +TANQUE DE ACEITE |
| 44 | P021005592 | 1 | +CAP ASSY | +MONTAJE DE TAPA |
| 45 | 90072000018 | 1 | ++O-RING 18 | ++JUNTA TÓRICA 18 |
| 46 | A365000050 | 1 | ++CONNECTOR, CAP L= 60 MM | ++CONECTOR DE TAPA L= 60 MM |



| NO. | PART NUMBER | QTY. | DESCRIPTION | DESCRIPCIÓN |
|-----|-------------|------|----------------------------------|--------------------------------|
| 1 | 89033252730 | 1 | LABEL, CHOKE | ETIQUETA DEL ESTRANGULADOR |
| 2 | X532004980 | 1 | LABEL, SPARK PLUG - CMR7H | ETIQUETA DE BUJÍA CMR7H |
| 3 | X503014590 | 1 | LABEL - MODEL PPT-2620 | ETIQUETA MODELO PPT-2620 |
| 4 | X547003130 | 1 | LABEL, RECOIL STARTER - PPT-2620 | ETIQUETA ARRANCADOR - PPT-2620 |
| 5 | X505002372 | 1 | LABEL, CAUTION | ETIQUETA DE PRECAUCIÓN |
| 6 | X502000600 | 1 | LABEL, ECHO | ETIQUETA ECHO |
| 7 | X502000610 | 2 | LABEL, ECHO | ETIQUETA ECHO |
| 8 | X505002362 | 1 | LABEL, CAUTION | ETIQUETA DE PRECAUCIÓN |



| NO. | PART NUMBER | QTY. | DESCRIPTION | DESCRIPCIÓN |
|-----|-------------|------|--------------------------|-------------------------------|
| 1A | 10A0CD3739C | 1 | GUIDE BAR, 10" 0.050" GA | BARRA DE GUÍA 25 CM 0.050" GA |
| 1B | 10A4CD3739C | 1 | GUIDE BAR, 10" 0.043" GA | BARRA DE GUÍA 25 CM 0.043" GA |
| 1C | 12A0CD3744C | 1 | GUIDE BAR, 12" 0.050" GA | BARRA DE GUÍA 30 CM 0.050" GA |
| 1D | 12A4CD3744C | 1 | GUIDE BAR, 12" 0.043" GA | BARRA DE GUÍA 30 CM 0.043" GA |
| 2A | 91VXL39CQ | 1 | SAW CHAIN 10" 0.050" GA | CADENA 25 CM 0.050" GA |
| 2B | 90PX39CQ | 1 | SAW CHAIN 10" 0.043" GA | CADENA 25 CM 0.043" GA |
| 2C | 91VXL44CQ | 1 | SAW CHAIN 12" 0.050" GA | CADENA 30 CM 0.050" GA |
| 2D | 90PX44CQ | 1 | SAW CHAIN 12" 0.043" GA | CADENA 30 CM 0.043" GA |
| 3 | X490000060 | 1 | SCABBARD 10" | FUNDA 25 CM |
| 3 | X490000050 | 1 | SCABBARD 12" | FUNDA 30 CM |

Tools
 Herramientas


| NO. | PART NUMBER | QTY. | DESCRIPTION | DESCRIPCIÓN |
|-----|-------------|------|-------------------|---------------------|
| 1 | X605000060 | 1 | WRENCH, T27 80×30 | LLAVE T27 80×30 |
| 2 | X601000030 | 1 | T-WRENCH 10×16 MM | LLAVE EN T 10×16 MM |

| NO. | PART NUMBER | QTY. | DESCRIPTION | DESCRIPCIÓN |
|-----|-------------|------|-------------------------------------|--|
| 1 | 90181Y | 1 | TUNE-UP KIT - YOUCAN™ | JUEGO DE PUESTA A PUNTO - YOUCAN™ |
| 2 | A226002040 | 1 | +PRE-FILTER, FOAM | +PRÉ-FILTRO DE ESPUMA |
| 3 | A226002030 | 1 | +FILTER, AIR | +FILTRO DE AIRE |
| 4 | A369000470 | 1 | +FILTER, FUEL | +FILTRO DE COMBUSTIBLE |
| 5 | A425000060 | 1 | +SPARK PLUG - CMR7H | +BUJÍA - CMR7H |
| 6 | 90182Y | 1 | FUEL SYSTEM KIT - YOUCAN™ | KIT DEL SISTEMA DE COMBUSTIBLE - YOUCAN™ |
| 7 | 13201256030 | 1 | +PIPE, FUEL 3×6×80 CLEAR | +TUBO DE COMBUSTIBLE 3×6×80 TRANSPARENTE |
| 8 | V186000500 | 1 | +CONNECTOR, PIPE | +CONECTOR DE TUBO |
| 9 | A356000031 | 1 | +VENT ASSY | +VÁLVULA DE RESPIRADERO |
| 10 | V490001230 | 1 | +CLIP Ø6.5 MM | +SUJETADOR Ø6.5 MM |
| 11 | 13201006530 | 1 | +PIPE, FUEL 3×6×85 BLACK | +TUBO DE COMBUSTIBLE 3×6×85 NEGRO |
| 12 | V471004060 | 1 | +PIPE, FUEL 3×5×83 BLACK | +TUBO DE COMBUSTIBLE 3×5×83 NEGRO |
| 13 | 13211555930 | 1 | +GROMMET, FUEL | +OJAL DE COMBUSTIBLE |
| 14 | 13131435430 | 1 | +FILTER, VENT | +FILTRO DE RESPIRADERO |
| 15 | V471005440 | 1 | +PIPE, FUEL 3×7×10 BLACK | +TUBO DE COMBUSTIBLE 3×7×10 NEGRO |
| 16 | V186000520 | 1 | +CONNECTOR, PIPE Ø5×Ø3.5 | +CONECTOR DE TUBO Ø5×Ø3.5 |
| 17 | V490001240 | 2 | +CLIP Ø6 | +SUJETADOR Ø6 |
| 18 | V471003651 | 1 | +PIPE, FUEL - 3×5×125 - BLACK | +TUBO DE COMBUSTIBLE 3×5×125 NEGRO |
| 19 | A369000470 | 1 | +FILTER, FUEL | +FILTRO DE COMBUSTIBLE |
| 20 | V107000210 | 1 | +GASKET, FUEL CAP | +EMPAQUETADURA DE TAPA DE COMBUSTIBLE |
| 21 | P021051540 | 1 | GASKET KIT: ENGINE, INTAKE, EXHAUST | JUEGO DE EMPAQUETADURA - MOTOR, ADMISIÓN, ESCAPE |
| 22 | V100000840 | 1 | +GASKET, CYLINDER | +EMPAQUETADURA DE CILINDRO |
| 23 | V102000300 | 1 | +GASKET, CRANKCASE | +EMPAQUETADURA DE CÁRTER |
| 24 | V103001900 | 1 | +GASKET, INTAKE | +EMPAQUETADURA DE ADMISIÓN |
| 25 | V103001890 | 1 | +HEAT SHIELD, INTAKE | +PROTECTOR TÉRMICO DEL ADMISIÓN |
| 26 | V104002310 | 1 | +HEAT SHIELD, EXHAUST | +PROTECTOR TÉRMICO DEL ESCAPE |

Bulk Pipe

Tubo al por mayor

| NO. | PART NUMBER | QTY. | DESCRIPTION | DESCRIPCIÓN |
|-----|-------------|------|---|--|
| 1 | 90014 | 1 | BULK PIPE - 3×5 MM BLACK (4 PIECES×2 M) | TUBO AL POR MAYOR 3×5 MM NEGRO (4 PIEZAS×2 M) |
| 2 | 90015 | 1 | BULK PIPE - 3×6 MM BLACK (4 PIECES×2 M) | TUBO AL POR MAYOR 3×6 MM NEGRO (4 PIEZAS×2 M) |
| 3 | 90016 | 1 | BULK PIPE - 3×7 MM BLACK (4 PIECES×2 M) | TUBO AL POR MAYOR 3×7 MM NEGRO (4 PIEZAS×2 M) |
| 4 | 90017 | 1 | BULK PIPE - 3×6 MM CLEAR (4 PIECES×2 M) | TUBO AL POR MAYOR 3×6 MM TRANSPARENTE (4 PIEZAS×2 M) |
| 5 | 90018 | 1 | BULK PIPE - 2×4 MM CLEAR (4 PIECES×2 M) | TUBO AL POR MAYOR 2×4 MM TRANSPARENTE (4 PIEZAS×2 M) |

Bulk Starter Rope

Cuerda del arrancador al por mayor

| NO. | PART NUMBER | QTY. | DESCRIPTION | DESCRIPCIÓN |
|-----|-------------|------|-----------------------------------|--|
| 1 | 99944435000 | 1 | BULK STARTER ROPE - Ø 2.3 MM×61 M | CUERDA DEL ARRANCADOR AL POR MAYOR Ø 2.3 MM×61 M |
| 2 | 99944440000 | 1 | BULK STARTER ROPE - Ø 3.0 MM×61 M | CUERDA DEL ARRANCADOR AL POR MAYOR Ø 3.0 MM×61 M |
| 3 | 99944445000 | 1 | BULK STARTER ROPE - Ø 3.5 MM×61 M | CUERDA DEL ARRANCADOR AL POR MAYOR Ø 3.5 MM×61 M |
| 4 | 99944450000 | 1 | BULK STARTER ROPE - Ø 4.0 MM×61 M | CUERDA DEL ARRANCADOR AL POR MAYOR Ø 4.0 MM×61 M |
| 5 | 99944455000 | 1 | BULK STARTER ROPE - Ø 4.4 MM×61 M | CUERDA DEL ARRANCADOR AL POR MAYOR Ø 4.4 MM×61 M |
| 6 | 99944460000 | 1 | BULK STARTER ROPE - Ø 4.8 MM×61 M | CUERDA DEL ARRANCADOR AL POR MAYOR Ø 4.8 MM×61 M |