



---

**99944200902**

**Speed-Feed® 375 LH Line Head**

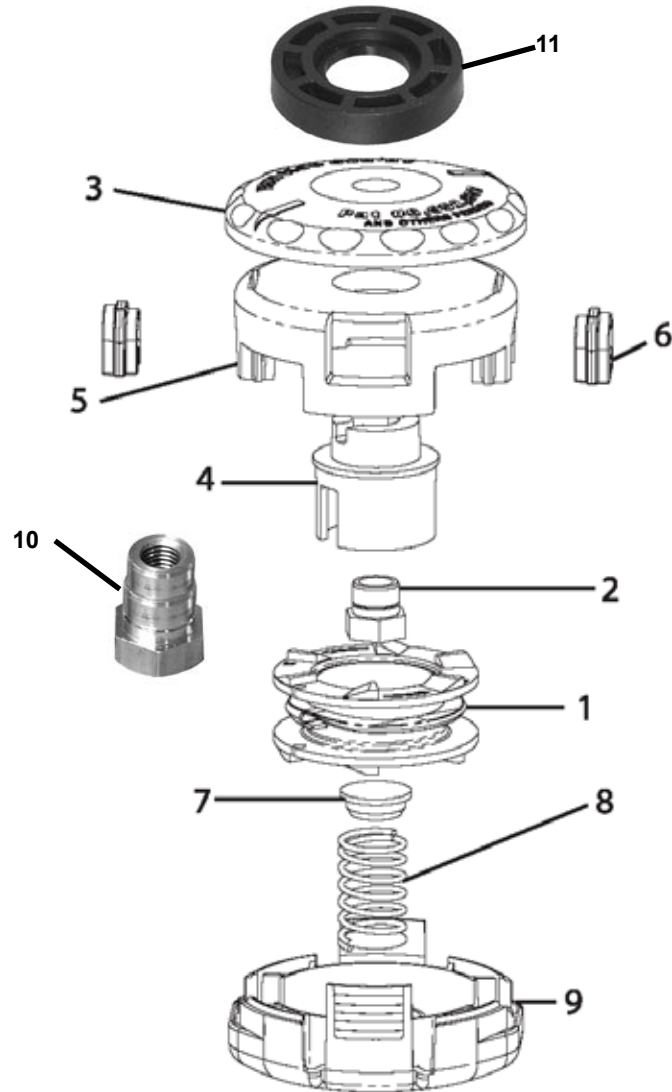


**ECHO, INCORPORATED**

400 Oakwood Road Lake Zurich, Illinois 60047

[WWW.ECHO-USA.COM](http://WWW.ECHO-USA.COM)

P/N 99922201263



NO.	PART NUMBER	DESCRIPTION	NOM DE LA PIÈCE	DESCRIPCIÓN	QTY.
1	X473000011	SPOOL LH	BOBINE LH	CARRETE LH	1
2	V160000060	BUSHING	BUJE CORTO	MANCHON COURT	1
3	E415000091	KNOB	POIGNÉE	PERILLA	1
4	X476000021	CORE	MOYEU	BASE CENTRAL	1
5	X470000181	EYELET CARRIER	CORP DE POULIE	SOPORTE DE BOQUILLAS	1
6	X475000050	EYELET	PASSE-CÂBLE	BOQUILLAS	2
7	V494000280	CAP	CAPUCHON	TAPA	1
8	V450000871	SPRING	RESORT	RESORTE	1
9	X472000012	COVER	COUVERCLE	TAPA	1
10	V160000120	BUSHING LONG	BUJE LARGO	MANCHON LONG	1
11	V376001850	SPACER 20/25/38 MM	ESPACIADOR 20/25/38 MM	ENTRETOISE 20/25/38 MM	1